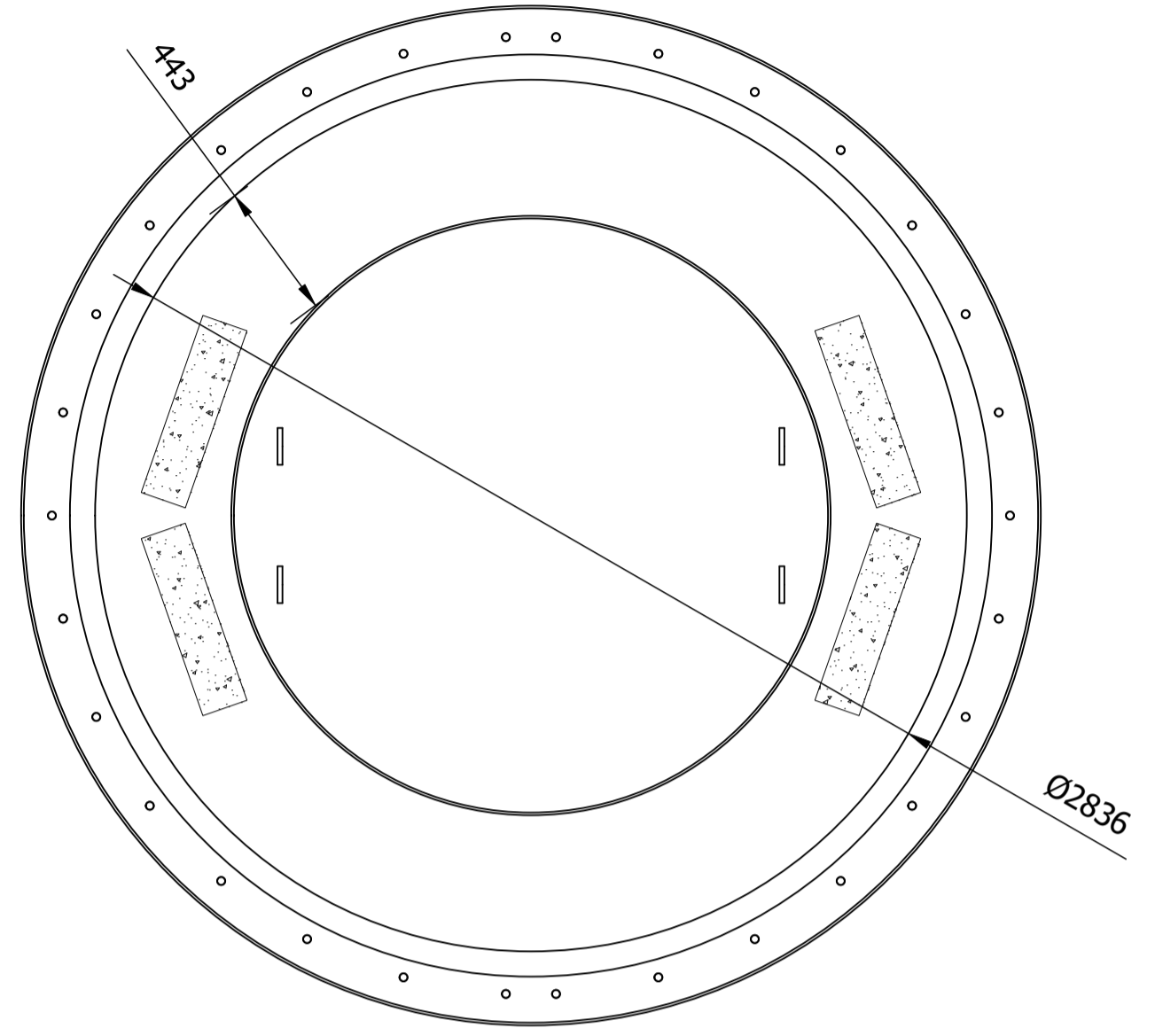
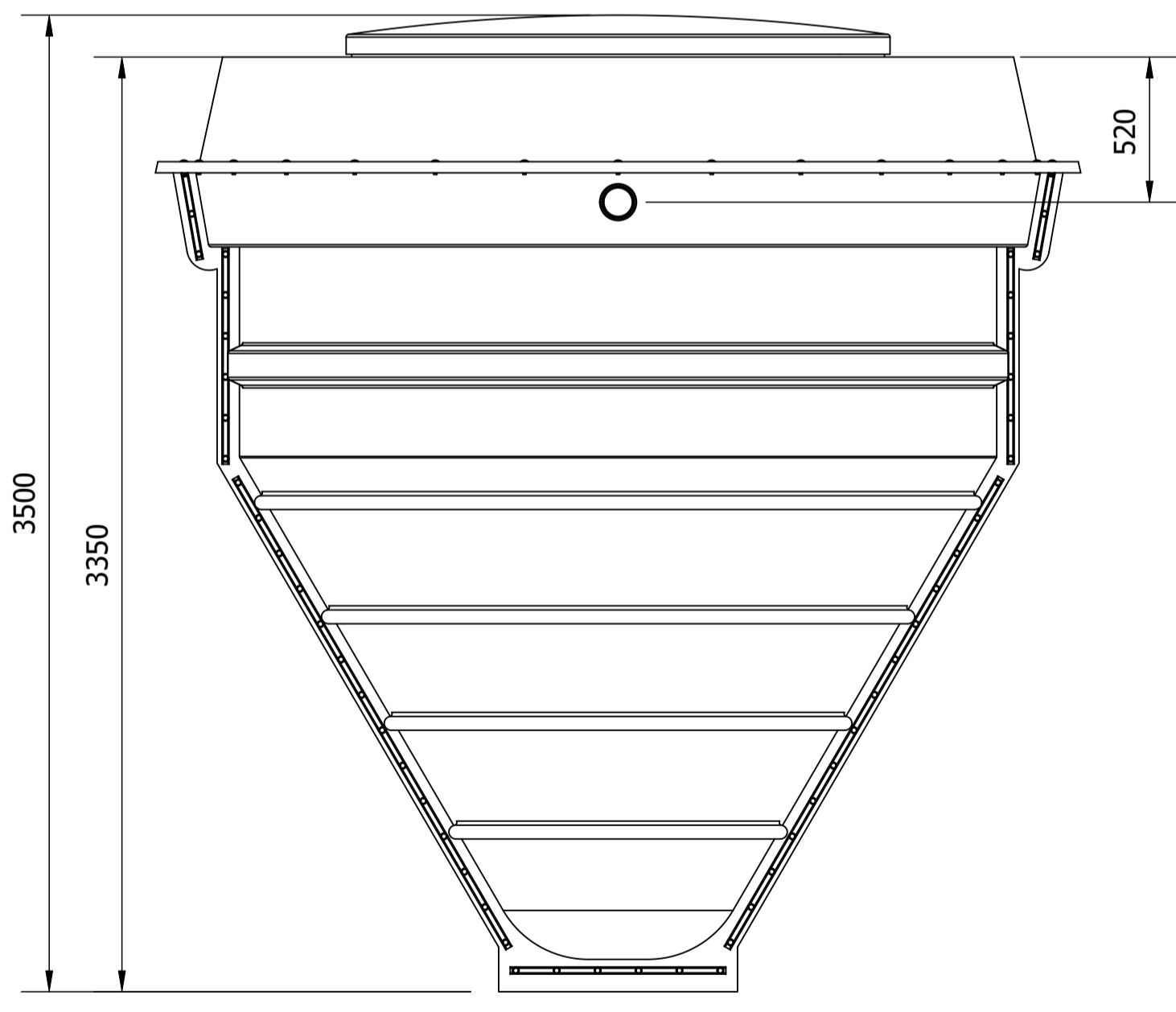


DRAWING APPROVAL	
DATE	DMC6/7
APPROVED BY (PRINT)	
SIGNED:	

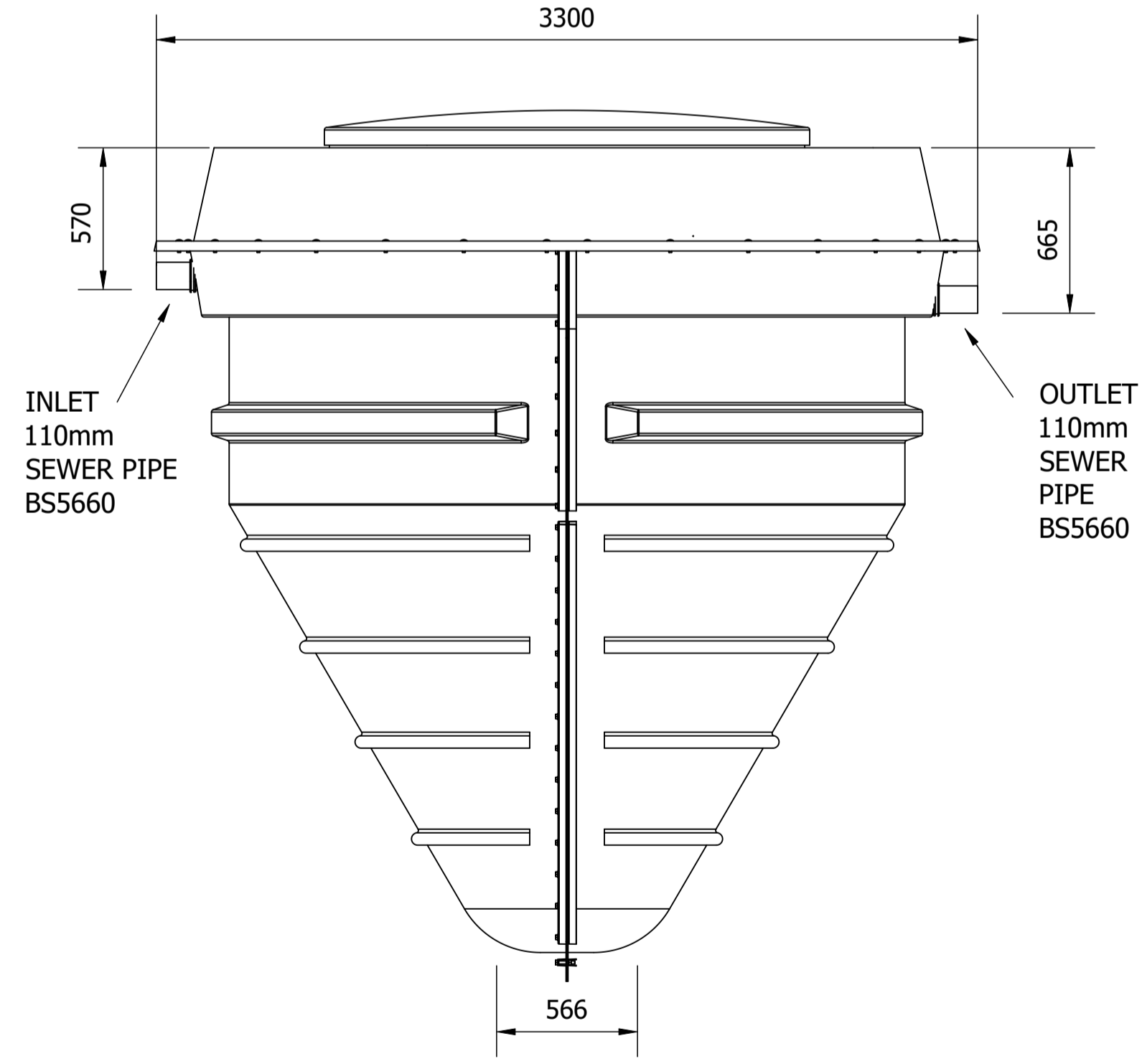
DRAWING NO.	DMC6/7	VERSION	B
NOTES			
1. DIMENSIONS ARE SUBJECT TO DIMENSIONAL TOLERANCES.			
2. ALL DIMENSIONS IN MILLIMETERS AND ALL LEVELS IN METRES UNLESS SHOWN OTHERWISE.			
3. DRAWING IN THIRD ANGLE PROJECTION.			



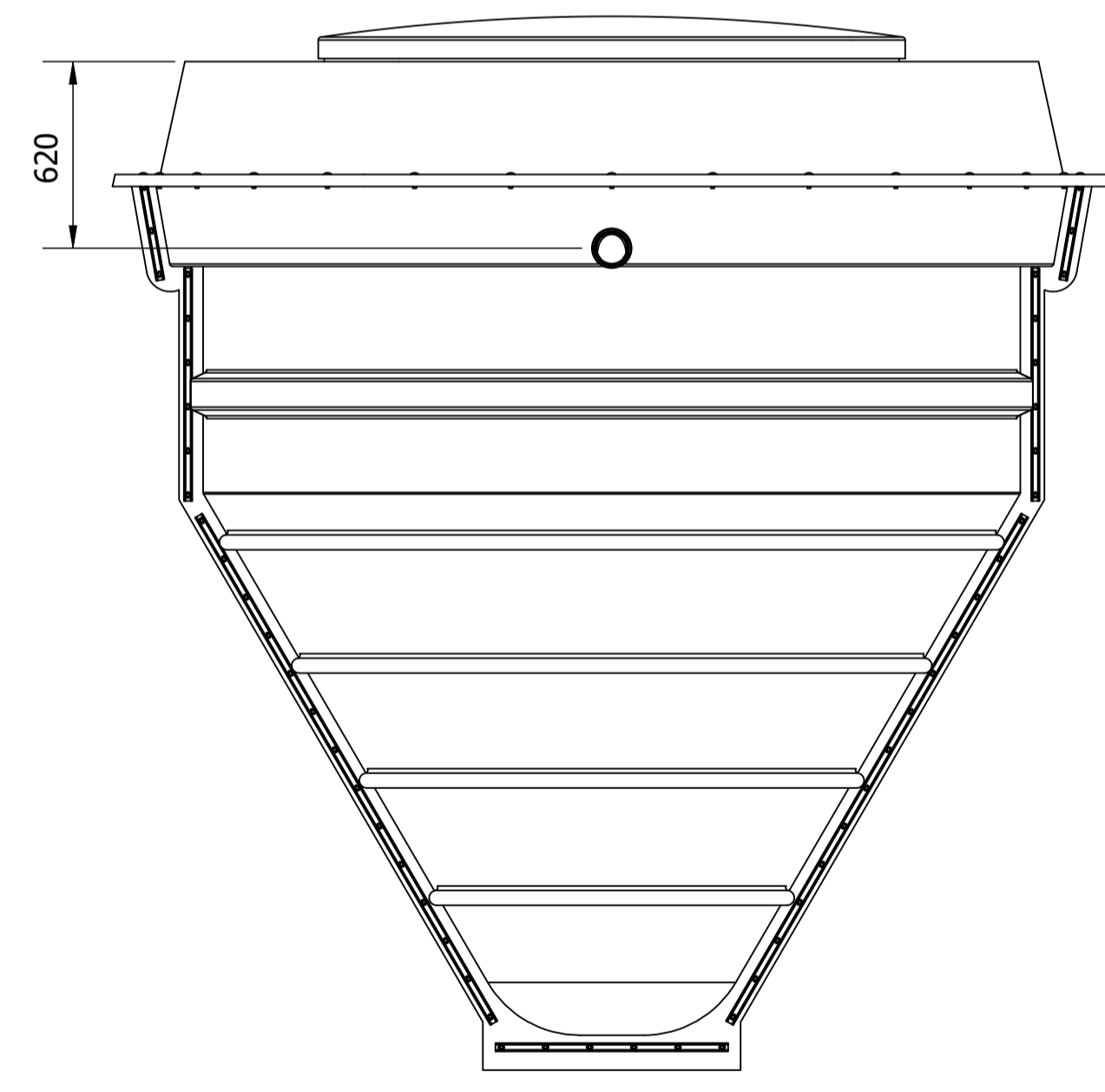
PLAN VIEW



INLET VIEW



SIDE VIEW

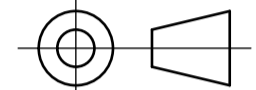


OUTLET VIEW

FOR QUOTATION PURPOSES ONLY

REFERENCES:

LEGEND



CURRENT VERSION INFORMATION

DATE	DRWN	CHKD	REVD	VER	REASON FOR ISSUE
09/06/2021	TC	RT		B	REVISED BORDER
15/01/2021	TC			A	FIRST ISSUE

THIS DRAWING IS ISSUED BY WPL (A WCS GROUP COMPANY) SUBJECT TO THE CONDITIONS THAT IT IS NOT COPIED EITHER IN WHOLE OR IN PART OR DISCLOSED TO THIRD PARTIES UNLESS PRIOR WRITTEN AUTHORISATION IS GIVEN BY WPL (A WCS GROUP COMPANY). IF PRINTED, THE DRAWING WILL BE UNCONTROLLED. PREVIOUS VERSIONS OF THIS DRAWING SHOULD BE STAMPED SUPERSEDED OR DESTROYED. DO NOT SCALE THIS DRAWING - IF IN DOUBT ASK.

WEIGHTS & DIMENSIONS

WEIGHTS 01:	
EMPTY WEIGHT	380kg
SHIPPING DIMS 01	
LENGTH	3300mm
WIDTH	3300mm
HEIGHT	3500mm

LIFTING POINTS

MARKED AS AN ENCIRCLED L  
ANY DESIGNS OR INNOVATIONS REPRESENTED IN THE DRAWING SPACE ARE THE SOLE OWNERSHIP OF WPL (A WCS GROUP COMPANY) AND AS SUCH COPYRIGHT AND DESIGN RIGHTS IMPLICITLY APPLY.



ORIGINATOR'S DRAWING NO.	DMC6/7	VERSION	B
--------------------------	--------	---------	---

PROJECT TITLE  
DIAMOND TREATMENT TANK

DRAWING TITLE  
DMC6/7  
DMC6 POPULATION = 21-27  
DMC7 POPULATION = 28-35

SITE	SITE No
------	---------

SCALE	MASTER SIZE
N.T.S	A1

DRAWING NO.	DMC6/7	VERSION	B
-------------	--------	---------	---