

A

B

C

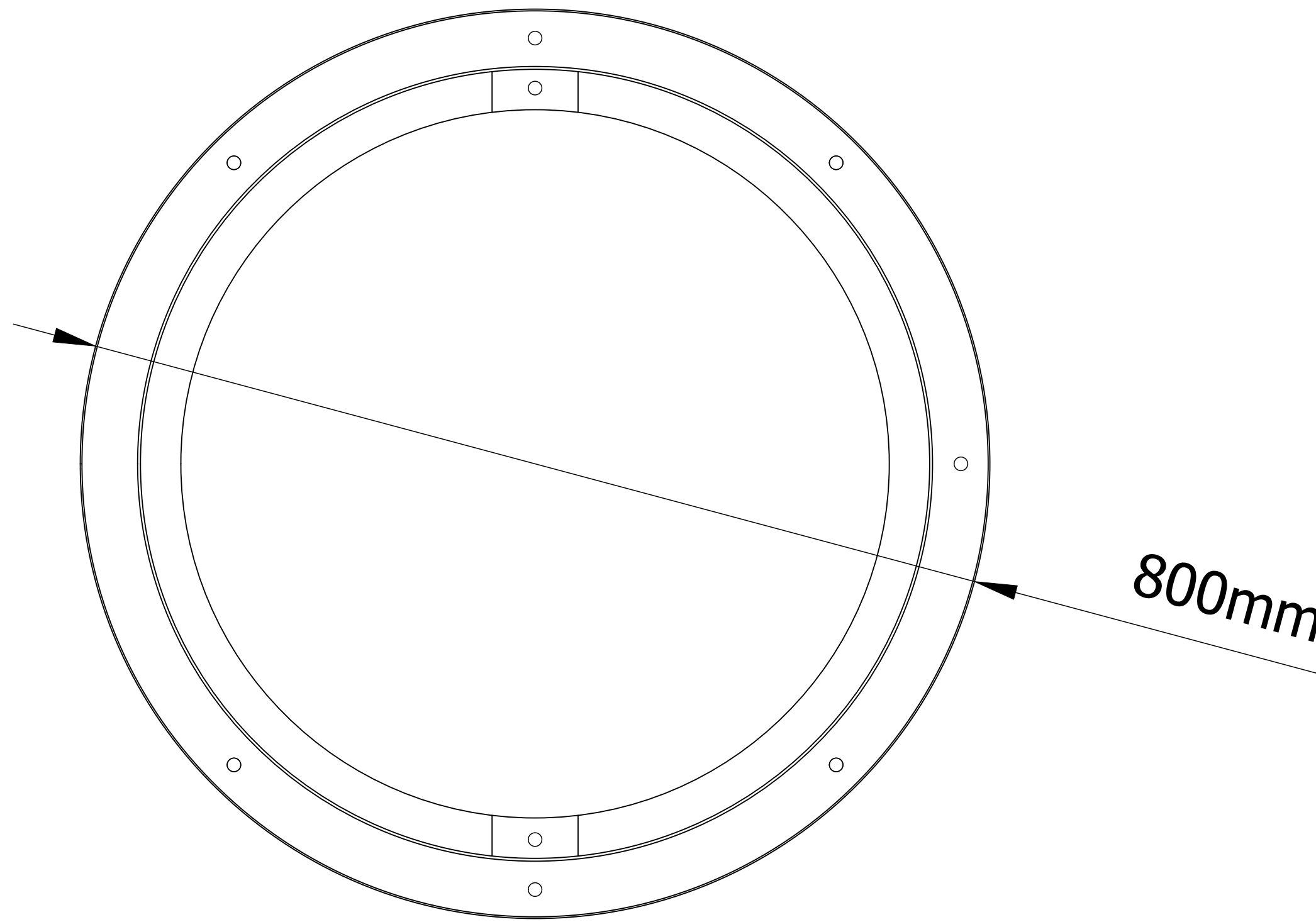
D

E

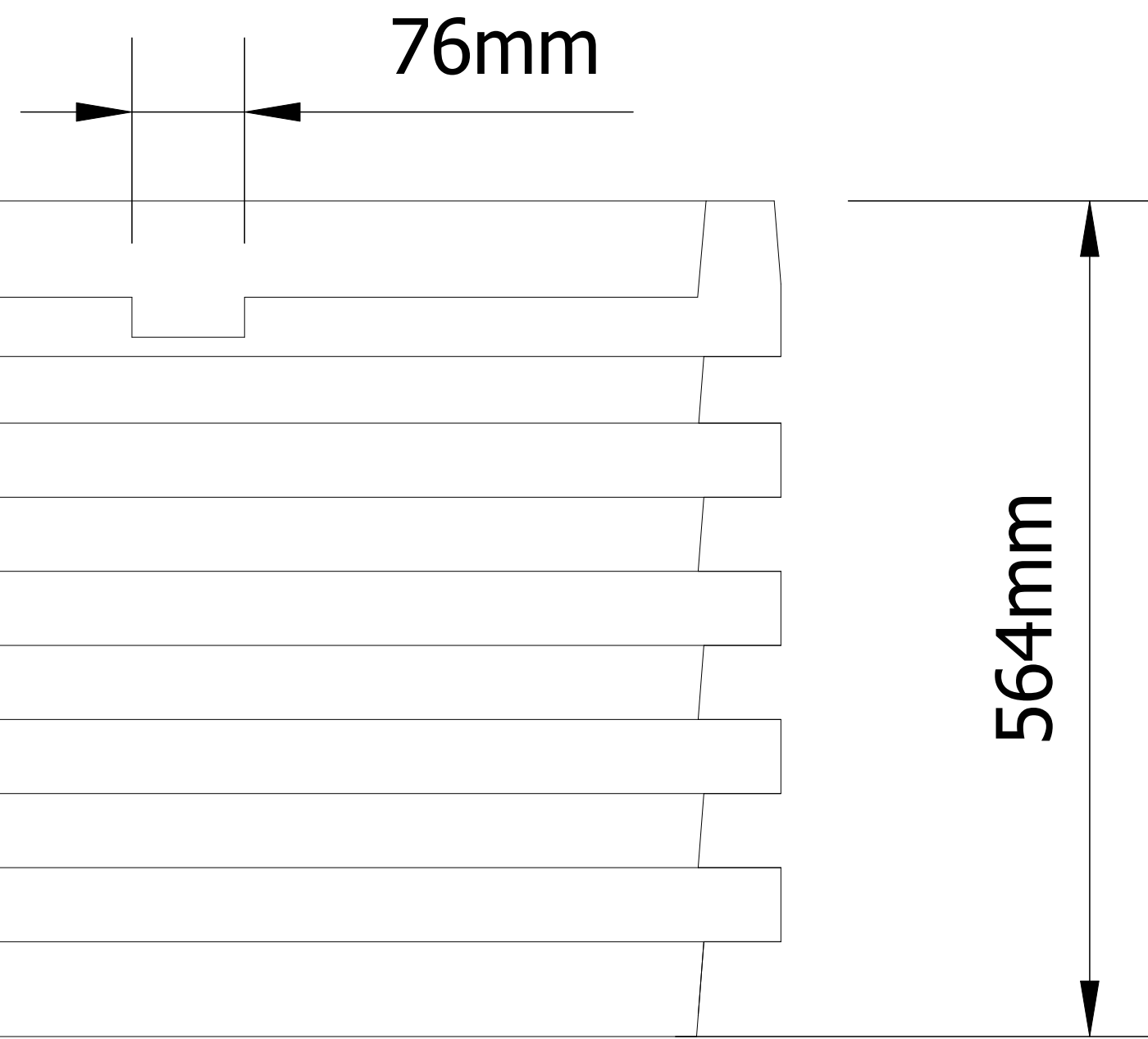
F

G

DRAWING APPROVAL	DRAWING NO.	VERSION
DATE	DMS TURRET EXTENSION	A
APPROVED BY (PRINT)	NOTES	
SIGNED:	1. DIMENSIONS ARE SUBJECT TO DIMENSIONAL TOLERANCES. 2. ALL DIMENSIONS IN MILLIMETERS AND ALL LEVELS IN METRES UNLESS SHOWN OTHERWISE. 3. DRAWING IN THIRD ANGLE PROJECTION.	



PLAN VIEW



FRONT VIEW

CUT LINE FOR 105mm EXTENSION

CUT LINE FOR 190mm EXTENSION

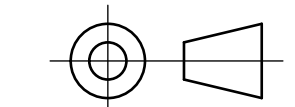
CUT LINE FOR 290mm EXTENSION

CUT LINE FOR 370mm EXTENSION

LEAVE BODY UNCUT FOR 460mm EXTENSION

REFERENCES:

LEGEND



CURRENT VERSION INFORMATION

DATE	DRWN	CHKD	REVD	VER	REASON FOR ISSUE
16/08/2021	TC			B	REVISED BORDER
27/09/2020	TC			A	FIRST ISSUE

THIS DRAWING IS ISSUED BY WPL (A WCS GROUP COMPANY) SUBJECT TO THE CONDITIONS THAT IT IS NOT COPIED EITHER IN WHOLE OR IN PART OR DISCLOSED TO THIRD PARTIES UNLESS PRIOR WRITTEN AUTHORIZATION IS GIVEN BY WPL (A WCS GROUP COMPANY). IF PRINTED, THE DRAWING WILL BE UNCONTROLLED. PREVIOUS VERSIONS OF THIS DRAWING SHOULD BE STAMPED SUPERSEDED OR DESTROYED. DO NOT SCALE THIS DRAWING - IF IN DOUBT ASK.

WEIGHTS + DIMENSIONS:	
WEIGHTS 01:	
EMPTY WEIGHT	5KG
SHIPPING DIMS 01	
LENGTH	800mm
WIDTH	800mm
HEIGHT	564mm

LIFTING POINTS
MARKED AS AN ENCIRCLED L

ANY DESIGNS OR INNOVATIONS REPRESENTED IN THE DRAWING SPACE ARE THE SOLE OWNERSHIP OF WPL (A WCS GROUP COMPANY) AND AS SUCH COPYRIGHT AND DESIGN RIGHTS IMPLICITLY APPLY.



ORIGINATOR'S DRAWING NO.	VERSION
DMS TURRET EXTENSION	A

PROJECT TITLE
DMS TURRET EXTENSION

DRAWING TITLE
GENERAL ARRANGEMENT

SITE	SITE No

SCALE	MASTER SIZE
N.T.S	A1

DRAWING NO.	VERSION
DMS TURRET EXTENSION	A