



HIPAF CONTROL PANEL TIMER

OPERATION AND MAINTENANCE MANUAL

1. SCOPE OF SUPPLY

WCSEE/WPL has introduced a new timer inside the panel with its scope to reduce the power consumption by turning off and on the blower(s) in 15min intervals.

The timer will be fitted inside the control panel and only the site operator will be able to adjust the settings.

Each configuration (duty and duty/stand-by) will use only 1 timer.

2. SET UP

To set up the timer, follow the below steps:

- Selecting the “A” letter on the bottom left of the timer, means the timer is in the “Auto” position. (as indicated in Picture 1 below). This set-up will allow the timer to be in operation.
- When the main switch (located on the front of the control panel) is in the “Auto” position, the low air pressure switch will be automatically inhibited to OFF for a certain period of time, so the beacon will not flash showing a fault whilst the blower is temporarily off.



Picture 1

WPL – HIPAF ADJUSTABLE CONTROL PANEL TIMER

- On the Timer, Once the “Auto” mode is selected, select the cycles required for the blower ON/OFF times. This will be done by moving the switches from the circle of yellow tabs to the outwards position for ON and the inwards position for OFF (see Picture 2 below).
- The Initial set-up is for 15min OFF and 15min ON. If the quality of effluent is deteriorating, increase the blower ON time by moving more yellow tabs to the outwards position.



Picture 2

- On the Timer, selecting the letter “I” on the bottom left of the timer mode will run the blower in manual setting, (as indicated in Picture 3 below). It is advisable that once a week to run the blower(s) in manual mode for 4 hours, to scour the media.



Picture 3

- On the Timer, selecting the letter “O” on the bottom left of the timer, will switch the blower OFF and no air will go to the plant, (as indicated in Picture 4 below).



Picture 4

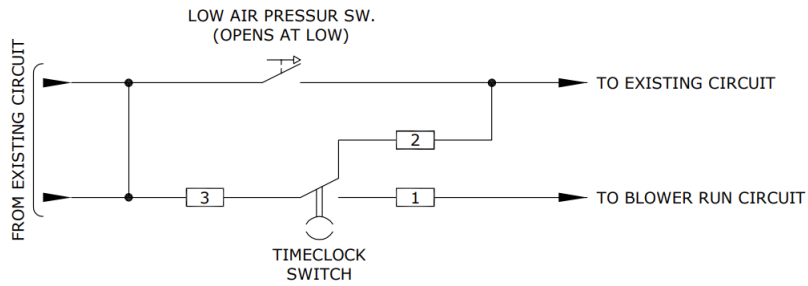
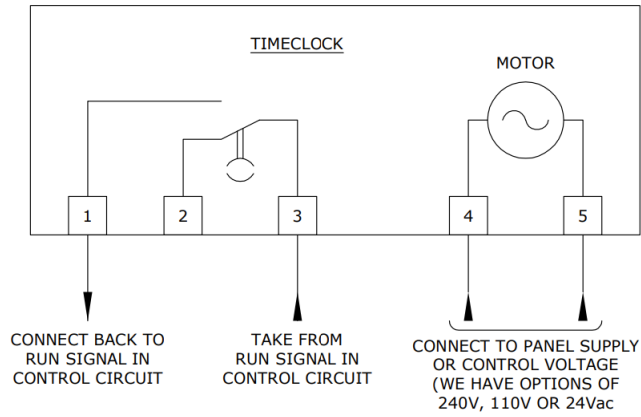
3. GENERAL REQUIREMENTS

All timers retrofitted in existing panels must be installed by WPL, or the process of the sewerage treatment plant will not be guaranteed by WPL.

On factory fitted timers, a visit is required after 2 months in operation to check the D.O. (Dissolved Oxygen Levels) and to visually inspect the effluent.

4. ELECTRICAL CONNECTIONS

Below shows the electrical details of the timer controls.



WPL
Unit 1 Aston Road
Waterlooville
Hampshire
PO7 7UX
United Kingdom

Tel: +44 (0)23 9224 2600
Email: enquiries@wpl.co.uk
Web: wplinternational.com

Disclaimer: WPL has a policy of continual product development and the information within this document may be subject to change without notice. WPL reserve the right to change specification in line with company policy of improvement through research and development. Errors and omissions excepted. Models shown in this manual may include additional cost options that are not part of the standard specification.

WPL is a trading name of WCS Environmental Engineering Ltd, registered in England & Wales with company number 2583411. WCS Environmental Engineering Ltd is a portfolio company of Marlowe Plc.

