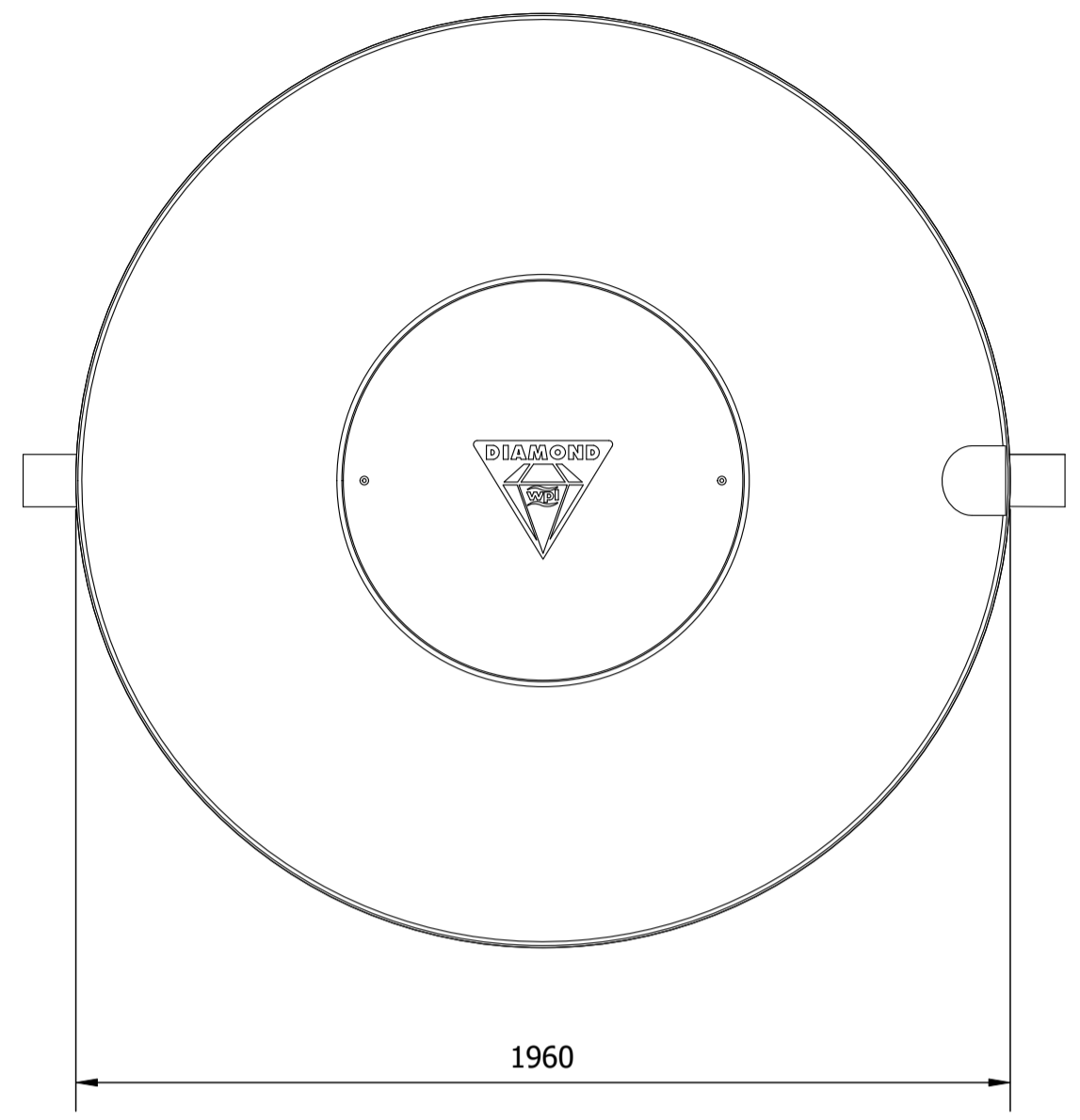
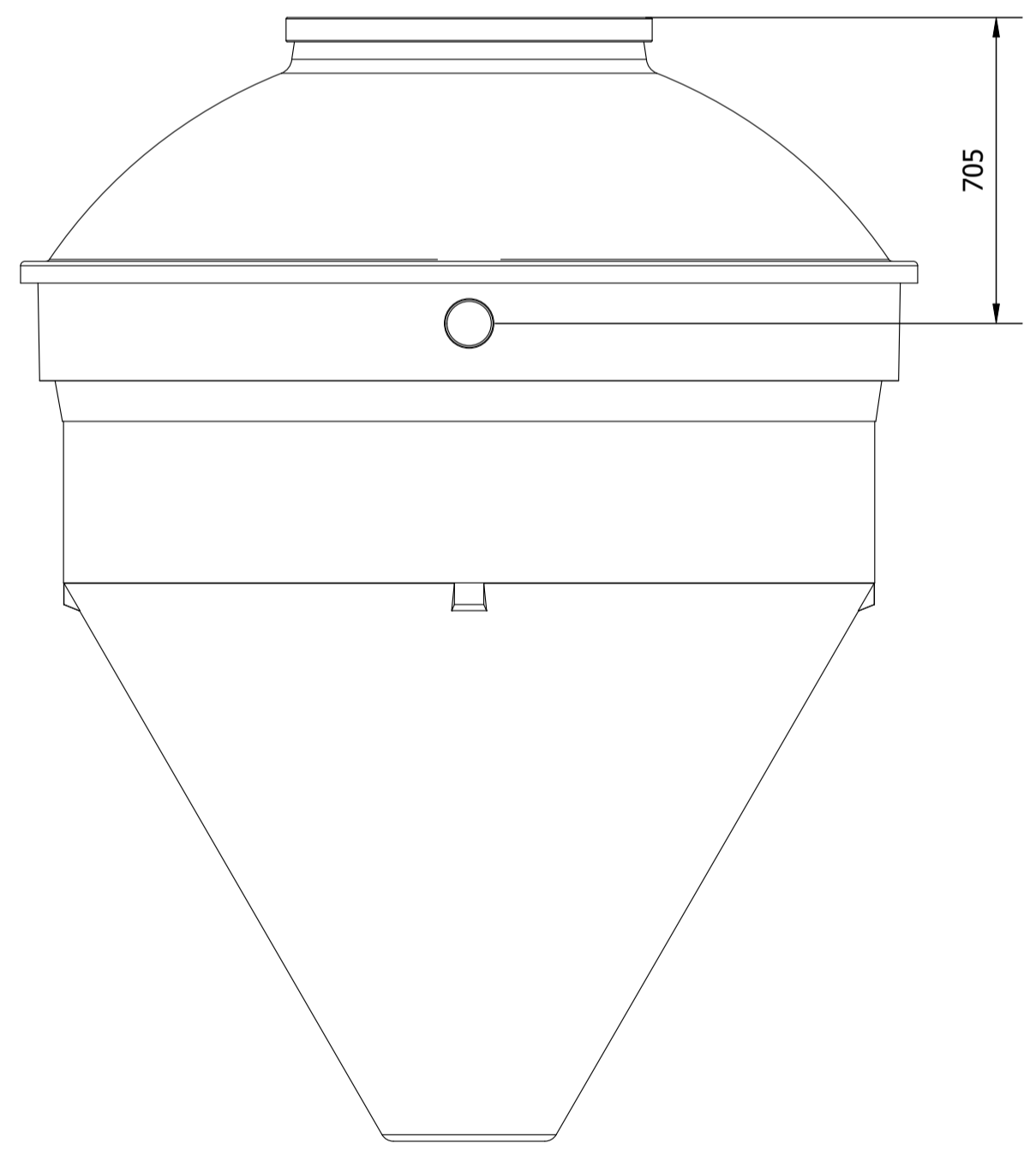


DRAWING APPROVAL		DRAWING NO.	VERSION												
DATE		DMS3	A												
APPROVED BY (PRINT)		NOTES													
SIGNED:		1. DIMENSIONS ARE SUBJECT TO DIMENSIONAL TOLERANCES. 2. ALL DIMENSIONS IN MILLIMETERS AND ALL LEVELS IN METRES UNLESS SHOWN OTHERWISE. 3. DRAWING IN THIRD ANGLE PROJECTION.													
REFERENCES:															
LEGEND															
CURRENT VERSION INFORMATION															
<table border="1"> <thead> <tr> <th>DATE</th> <th>DRWN</th> <th>CHKD</th> <th>REVD</th> <th>VER</th> <th>REASON FOR ISSUE</th> </tr> </thead> <tbody> <tr> <td>28/10/2022</td> <td>TC</td> <td></td> <td></td> <td>A</td> <td>FIRST ISSUE</td> </tr> </tbody> </table>				DATE	DRWN	CHKD	REVD	VER	REASON FOR ISSUE	28/10/2022	TC			A	FIRST ISSUE
DATE	DRWN	CHKD	REVD	VER	REASON FOR ISSUE										
28/10/2022	TC			A	FIRST ISSUE										
<small>THIS DRAWING IS ISSUED BY WCS ENVIRONMENTAL ENGINEERING SUBJECT TO THE CONDITIONS THAT IT IS NOT COPIED EITHER IN WHOLE OR IN PART OR DISCLOSED TO THIRD PARTIES UNLESS PRIOR WRITTEN AUTHORISATION IS GIVEN BY WFL (A WCS GROUP COMPANY). IF PRINTED, THE DRAWING WILL BE UNCONTROLLED. PREVIOUS VERSIONS OF THIS DRAWING SHOULD BE STAMPED SUPERSEDED OR DESTROYED. DO NOT SCALE THIS DRAWING - IF IN DOUBT ASK.</small>															
WEIGHTS & DIMENSIONS															
WEIGHTS 01:															
EMPTY WEIGHT	192kg														
SHIPPING DIMS 01															
LENGTH	2186mm														
WIDTH	1960mm														
HEIGHT	2620mm														
LIFTING POINTS															
MARKED AS AN ENCIRCLED (L)															
<small>ANY DESIGNS OR INNOVATIONS REPRESENTED IN THE DRAWING SPACE ARE THE SOLE OWNERSHIP OF WCS ENVIRONMENTAL ENGINEERING AND AS SUCH COPYRIGHT AND DESIGN RIGHTS IMPLICITLY APPLY.</small>															
		<small>WCS Environmental Engineering Ltd Unit 1, Robin Road Walsbridge North Lincolnshire United Kingdom</small>													
ORIGINATORS DRAWING NO.		VERSION													
DMS3		A													
PROJECT TITLE															
DIAMOND TREATMENT TANK															
DRAWING TITLE															
DMS3 POPULATION = 5-11															
SITE		SITE No													
SCALE		MASTER SIZE													
N.T.S		A1													
DRAWING NO.		VERSION													
DMS3		A													

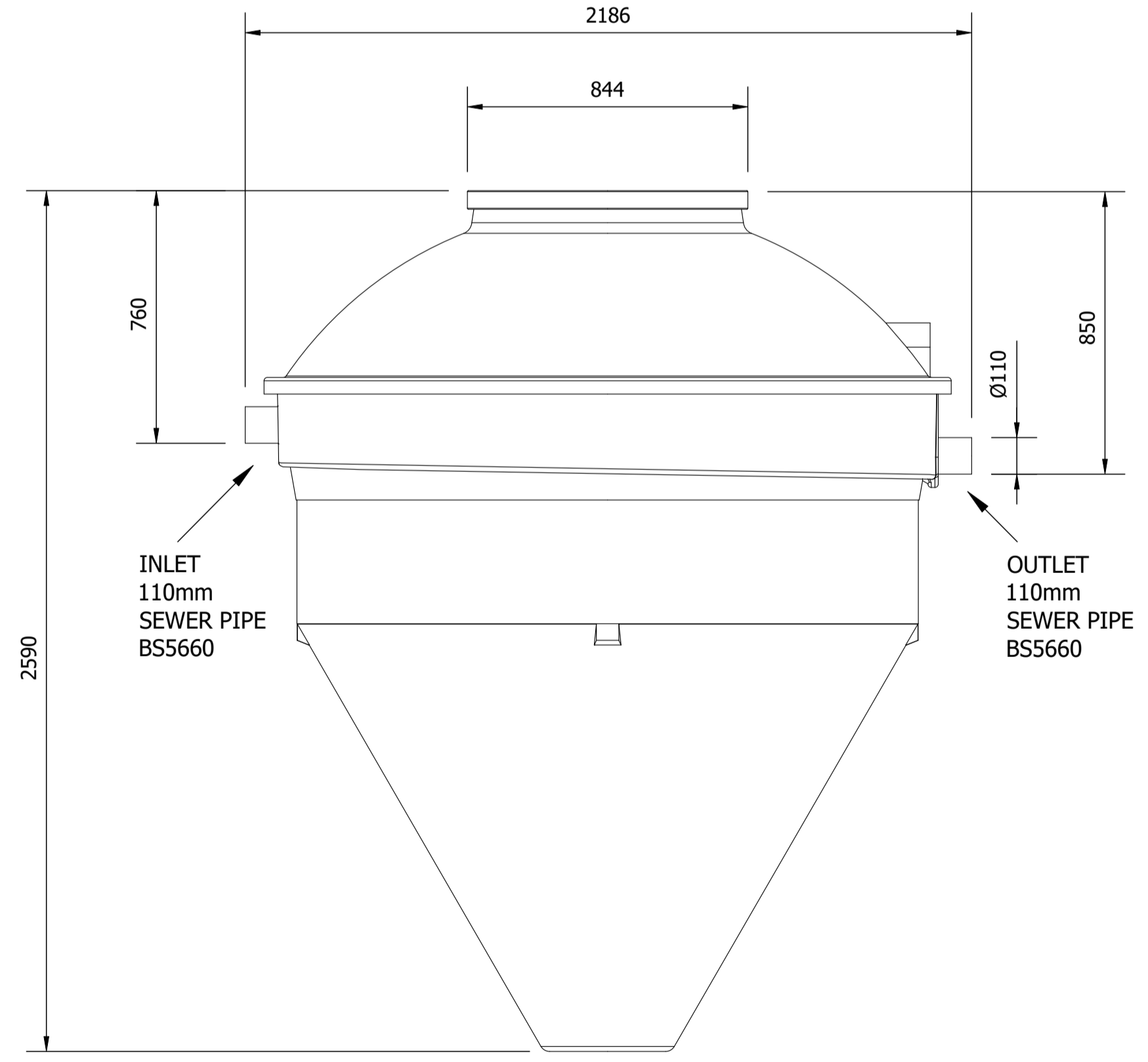
FOR QUOTATION PURPOSES ONLY



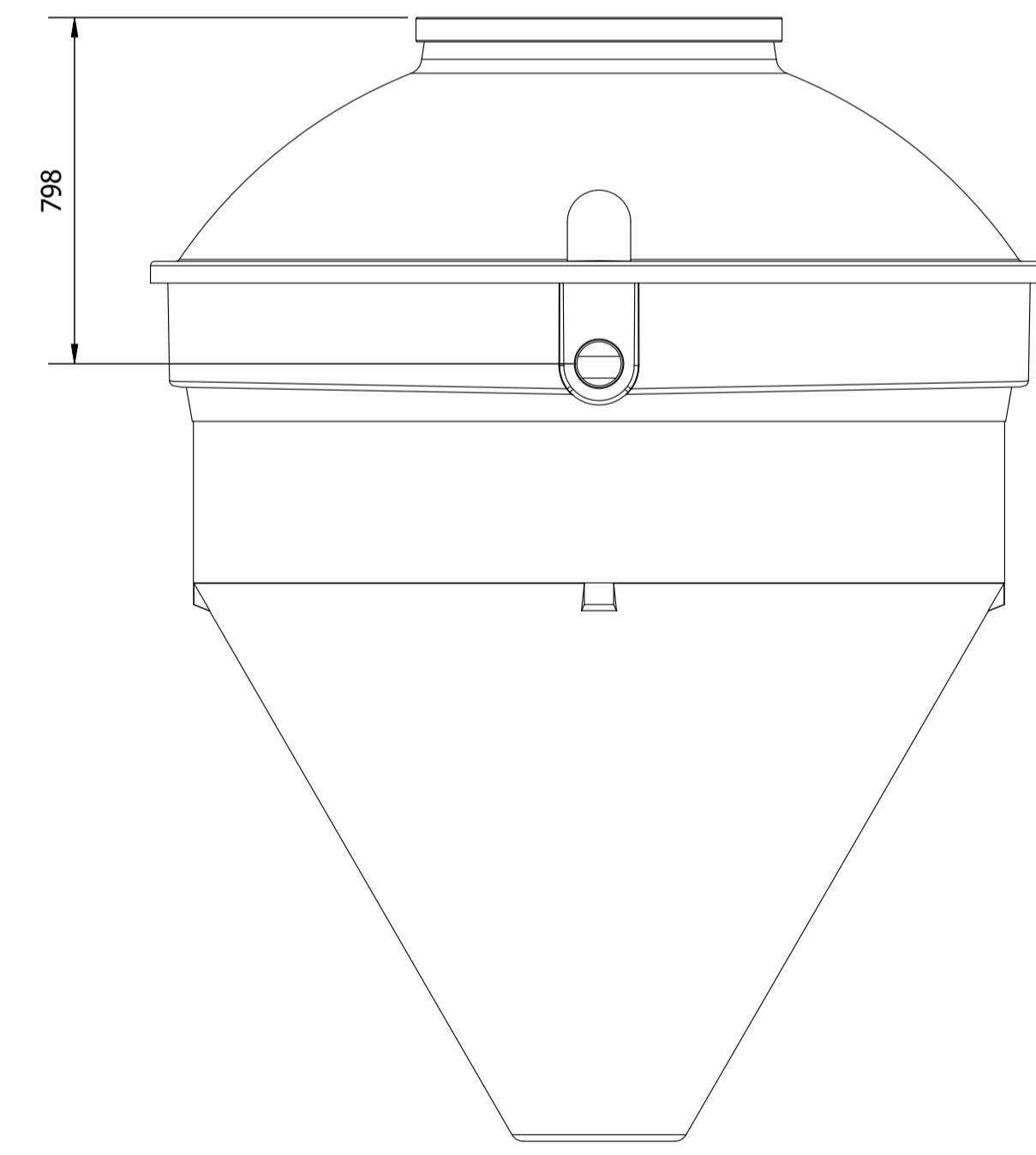
PLAN VIEW



INLET VIEW



SIDE VIEW



OUTLET VIEW