

DRAWING APPROVAL	
DATE	
APPROVED BY (PRINT)	
SIGNED:	

DRAWING NO.	DMS2-SHT01	VERSION	A
-------------	------------	---------	---

NOTES

- 1.DIMENSIONS ARE SUBJECT TO DIMENSIONAL TOLERANCES AND RELATE TO THE COMPLEXITY AND FIT OF THE COMPONENTS TO BS EN ISO 5459:2011.
- 2.ALL DIMENSIONS IN MILLIMETERS.
- 3.COLOUR 14C39, RAL 6005.

REFERENCES:

-DMS2-SHT02
-DMS2-SHT03

COMPLIANCES:

- 1.COMPLY WITH BS EN ISO 5459:2011 GEOMETRICAL TOLERANCING.
- 2.THIS DRAWING BORDER IS COMPLIANT TO BS-8888:2011, SECTION 2.6.1
- 3.COMPLY WITH LOLER REGULATION

THIRD ANGLE PROJECTION



13/04/2016	RT	TH	TC	A	FIRST ISSUE
DATE	DRWN	CHKD	REVD	VER	REASON FOR ISSUE

THIS DRAWING BORDER IS COMPLIANT TO BS-8888:2011, SECTION 2.6.1
THIS DRAWING IS ISSUED BY WPL LTD SUBJECT TO THE CONDITIONS THAT IT IS NOT COPIED EITHER IN WHOLE OR IN PART OR DISCLOSED TO THIRD PARTIES UNLESS PRIOR WRITTEN AUTHORISATION IS GIVEN BY WPL LTD
DO NOT SCALE THIS DRAWING - IF IN DOUBT ASK

WEIGHTS + DIMENSIONS:	
WEIGHTS 01:	
EMPTY WEIGHT	155 KG'S
OPERATING WEIGHT	2.425 KG'S
SHIPPING DIMS 01	
LENGTH	1.77M
WIDTH	1.77M
HEIGHT	2.5M

LIFTING POINTS	CENTER OF GRAVITY
MARKED AS AN ENCIRCLED L	MARKED AS AN ENCIRCLED G

ANY DESIGNS OR INNOVATIONS REPRESENTED IN THE DRAWING SPACE ARE THE SOLE OWNERSHIP OF WPL LTD AND AS SUCH COPYRIGHT AND DESIGN RIGHTS IMPLICITLY APPLY.



WPL Ltd
Units 1 & 2 Aston road
Waterlooville
Hampshire
PO7 7UX

ORIGNATORS DRAWING No.	DMS2-SHT01	VERSION	A
------------------------	------------	---------	---

PROJECT TITLE

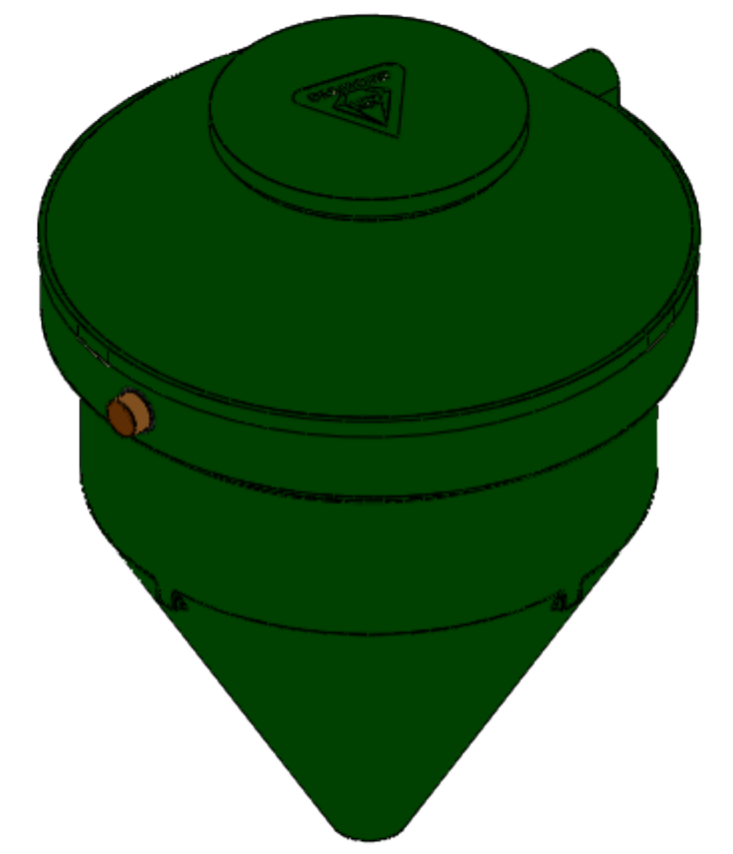
DMS2 DIAMOND

DRAWING TITLE

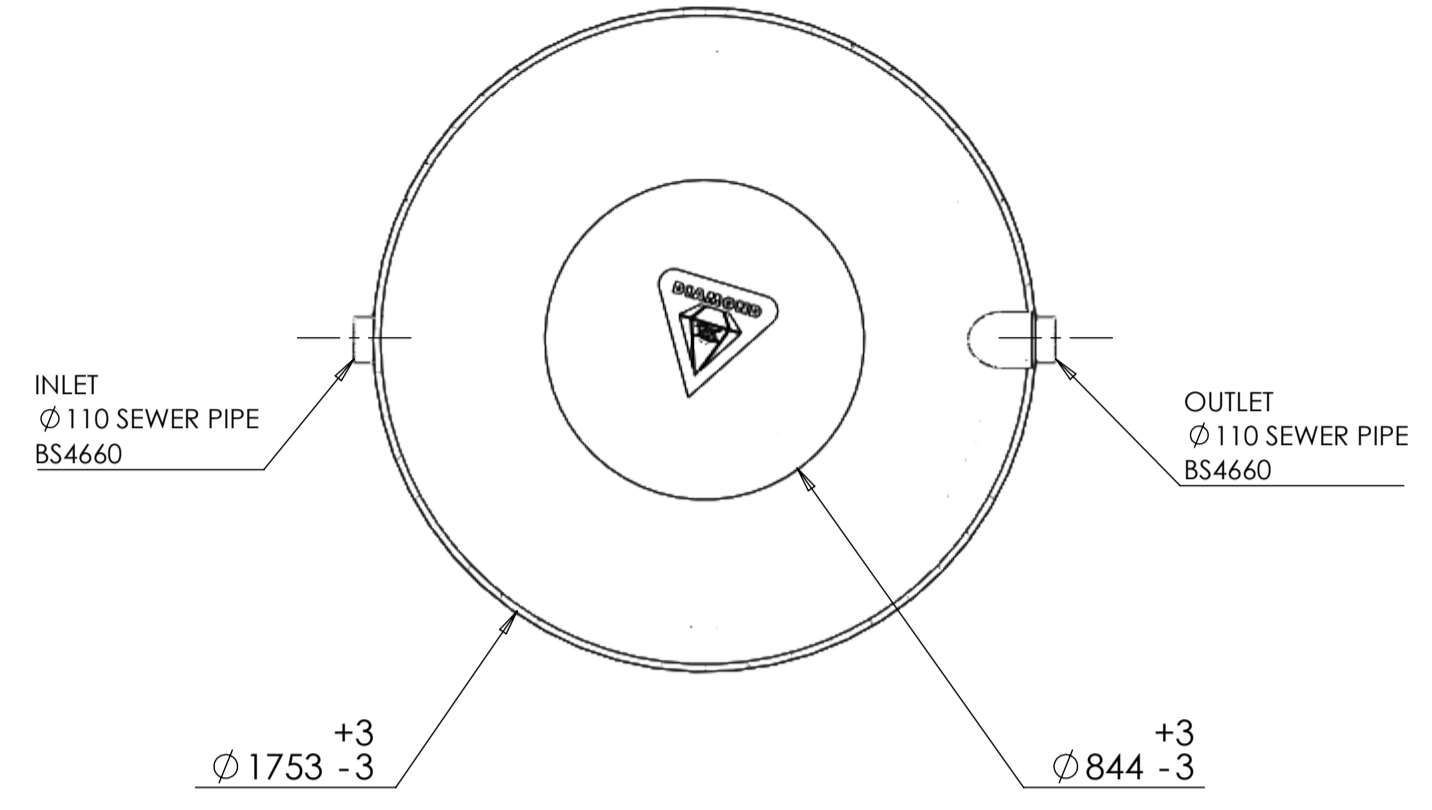
GENERAL ARRANGEMENT

SCALE	1:20	SITE No	NA
-------	------	---------	----

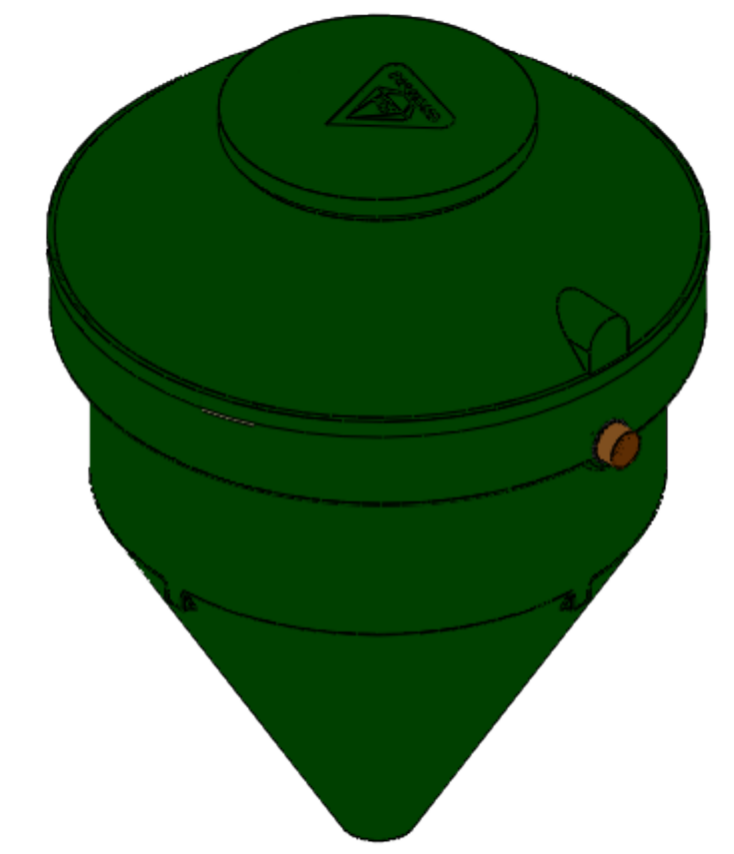
DRAWING NO.	DMS2-SHT01	VERSION	A
-------------	------------	---------	---



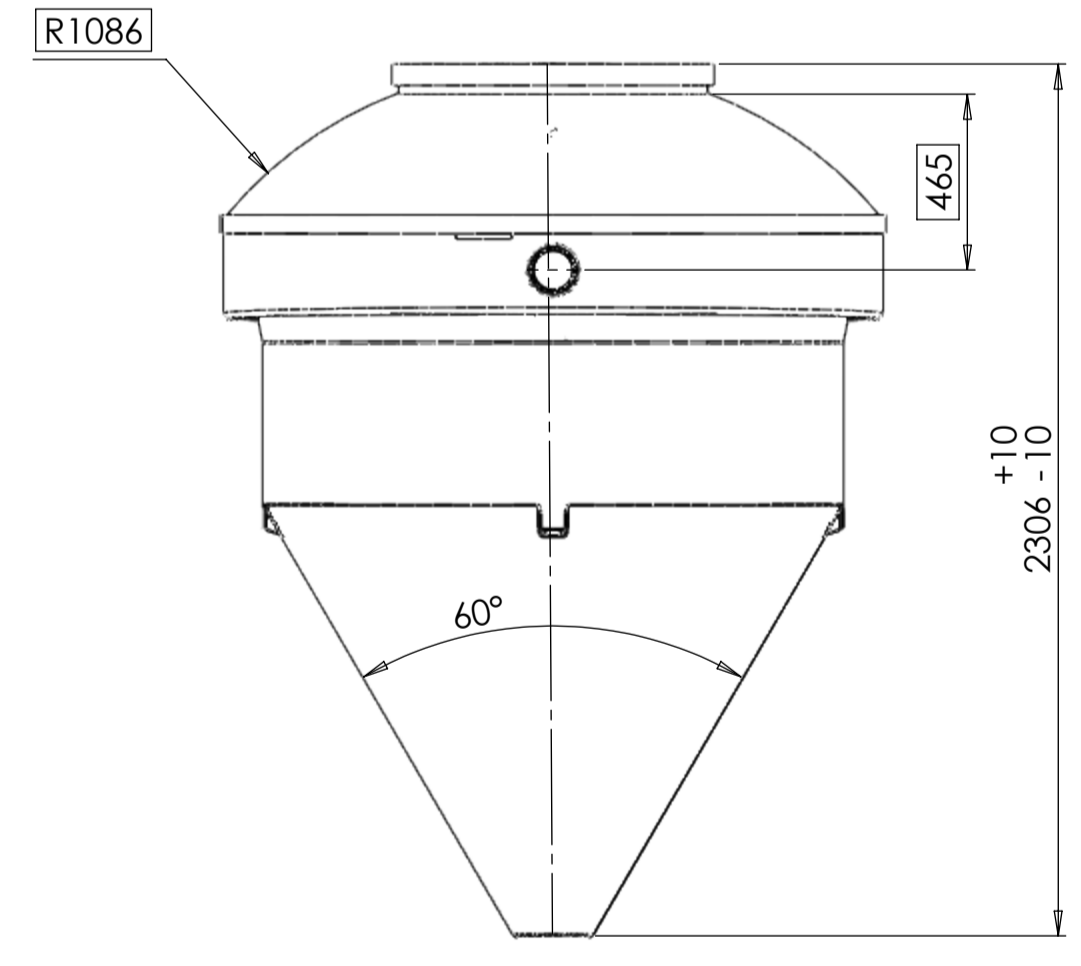
ISO VIEW LEFT



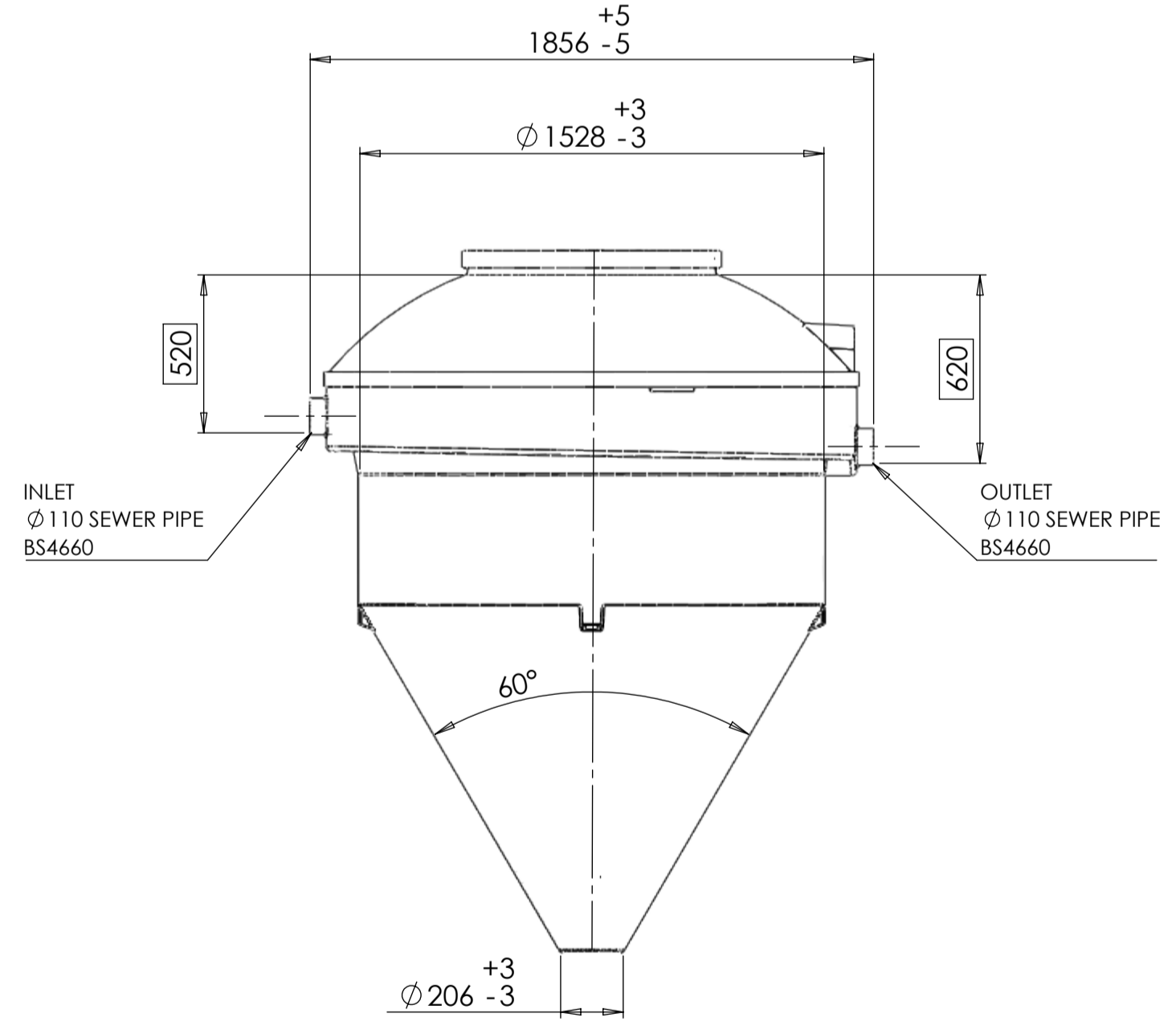
PLAN VIEW



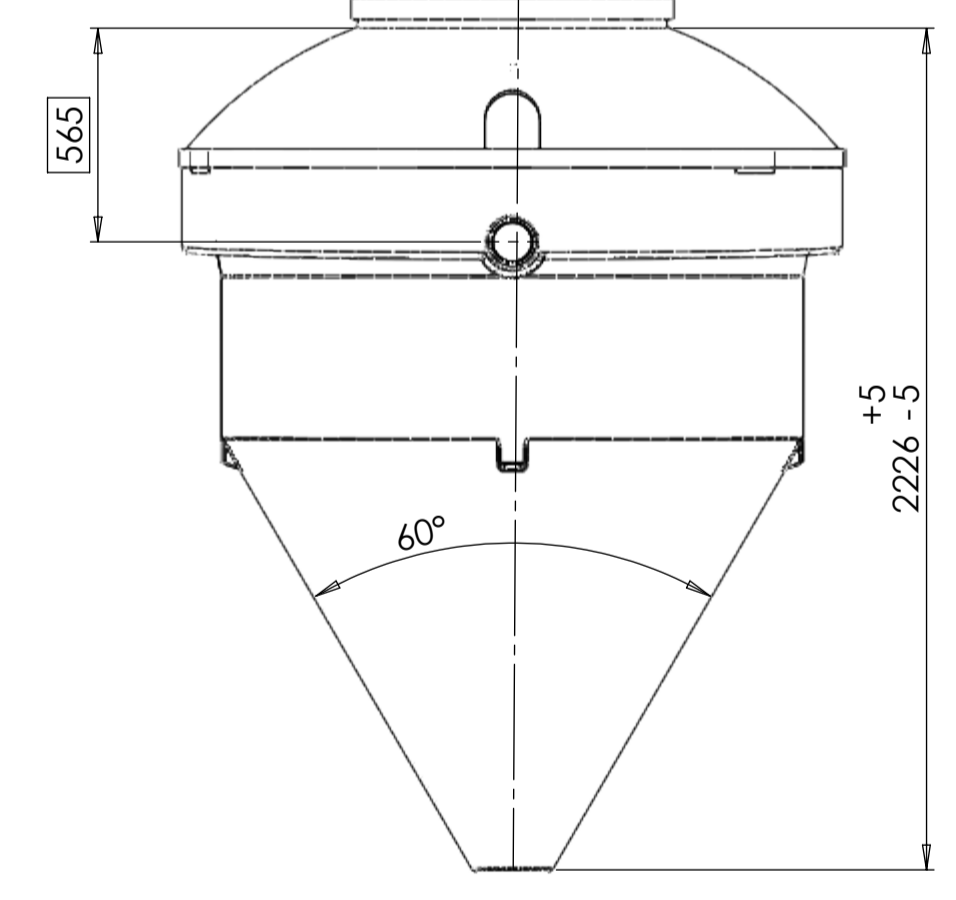
ISO VIEW RIGHT



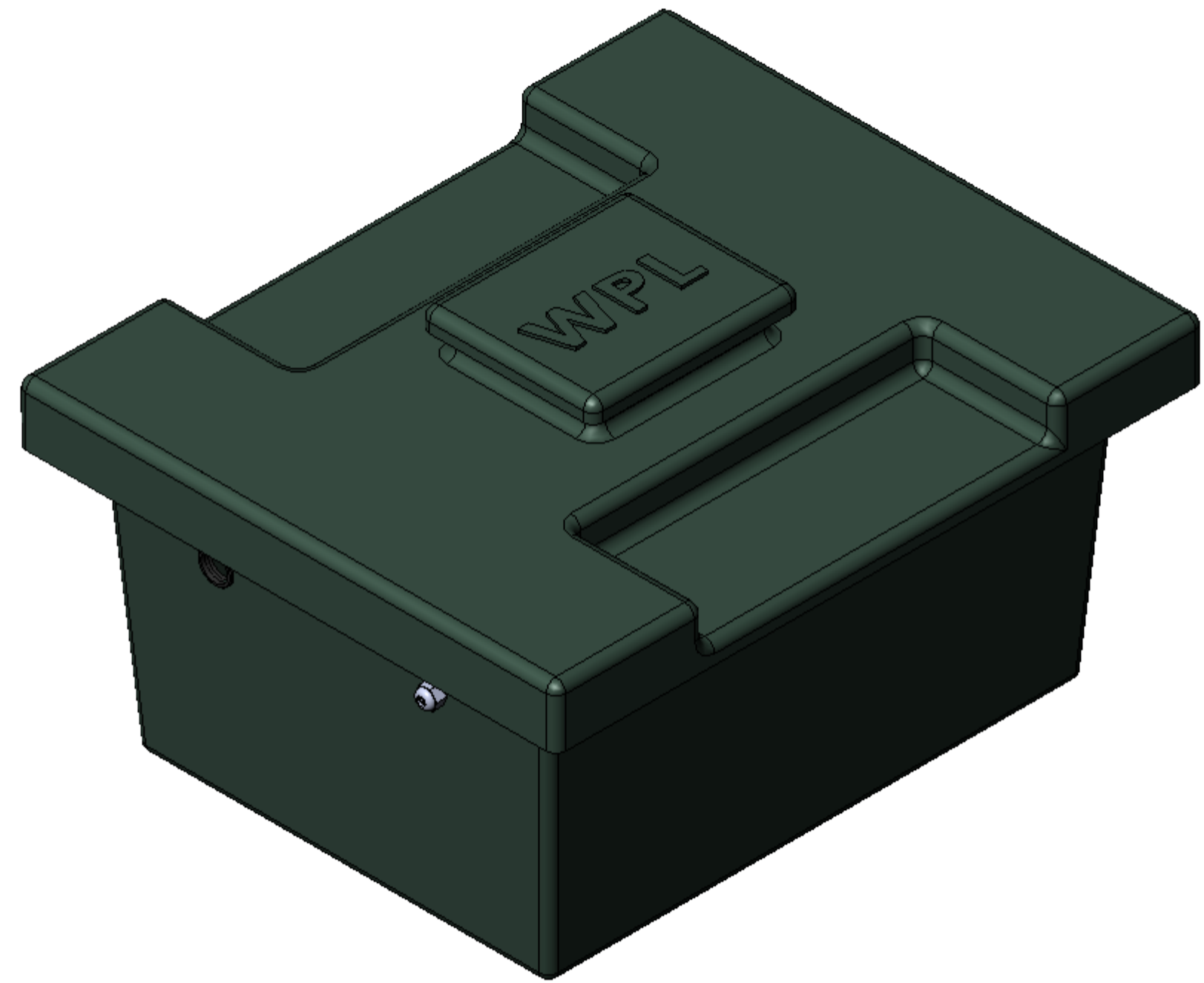
FRONT VIEW



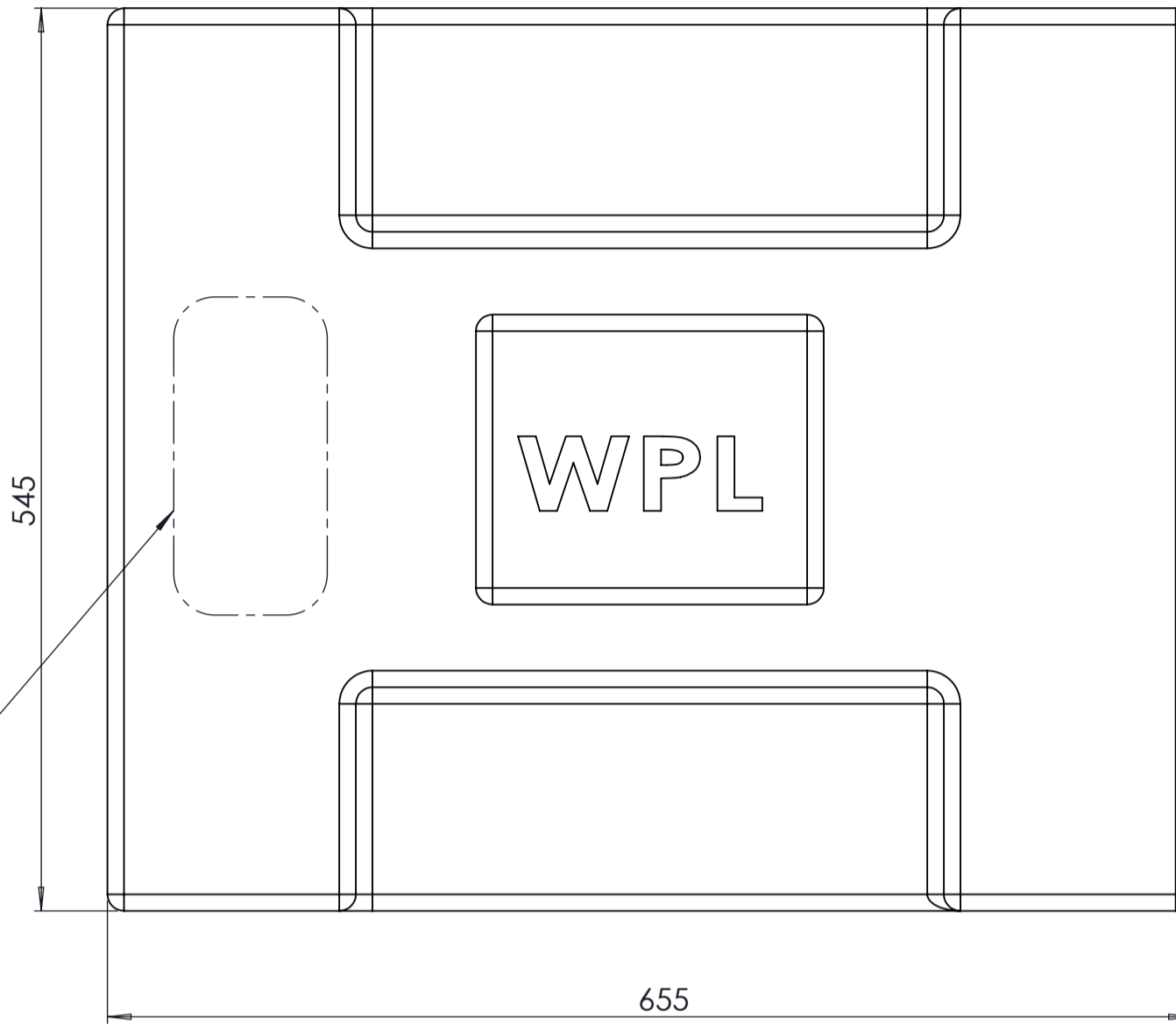
SIDE VIEW



REAR VIEW

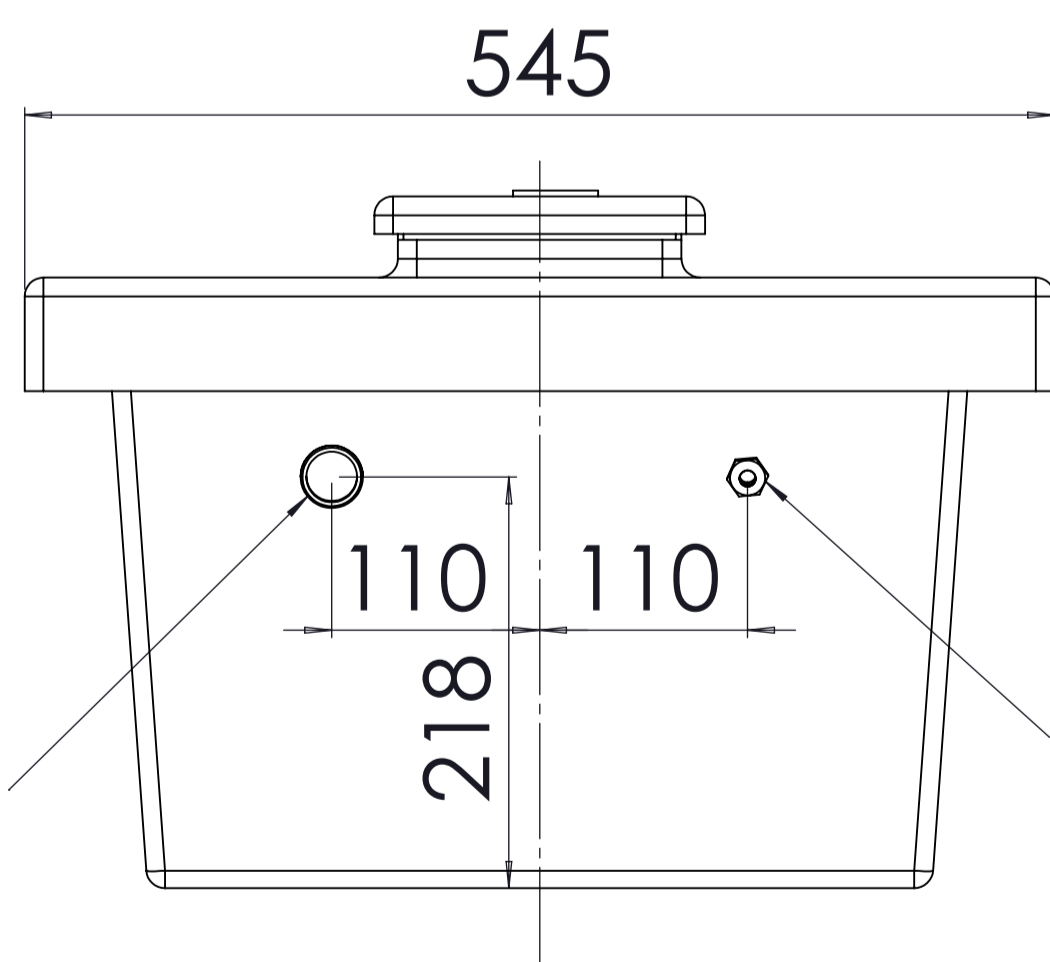


ISO VIEW



TOP VIEW

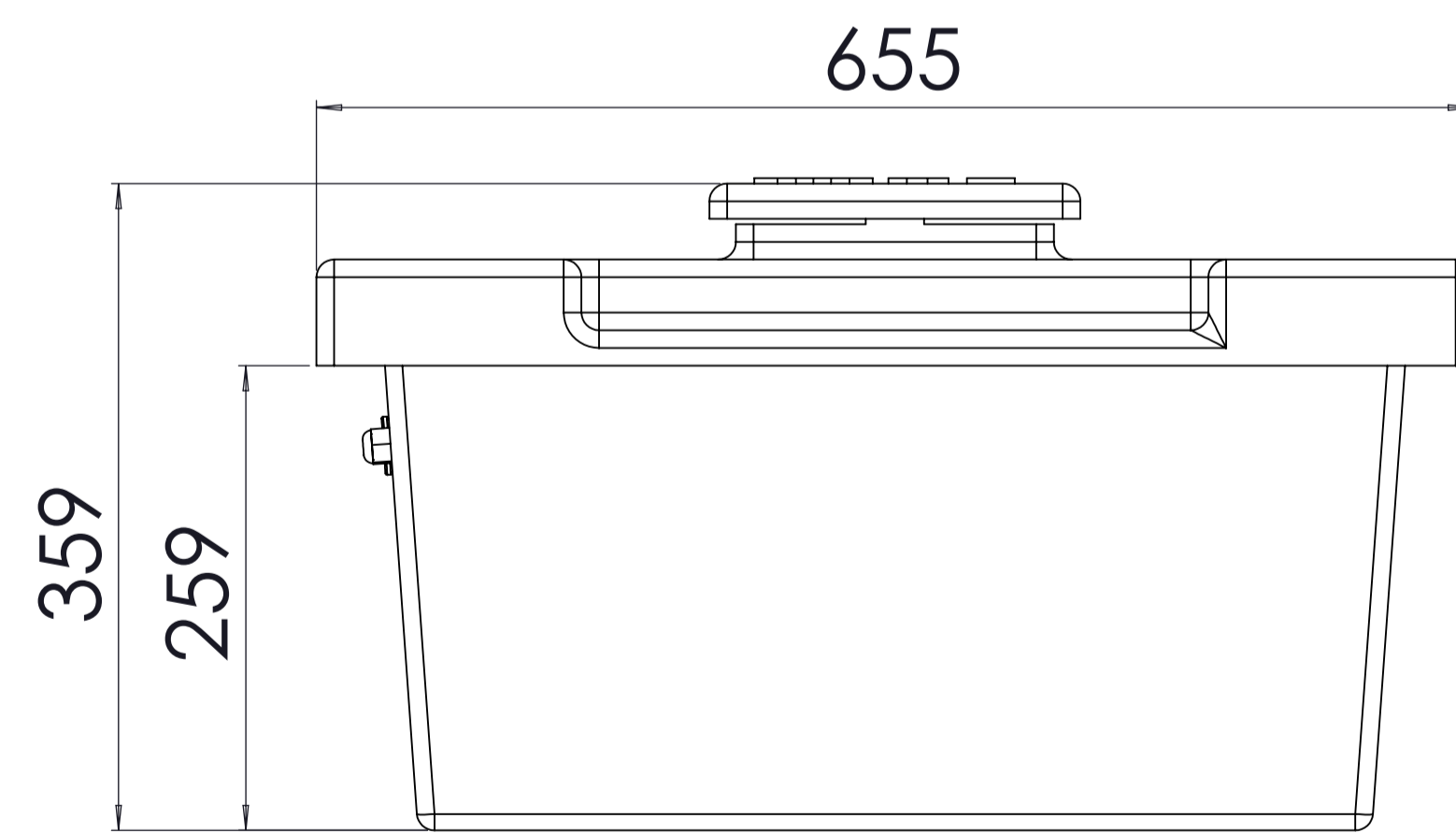
PLAQUE METALLIQUE
COLLEE SOUS LE
COUVERCLE



JOINT PASSAGE
GAINE AERATION

PRESSE-ETOUPE

VUE DE FACE



VUE DE COTE

DRAWING APPROVAL		DRAWING NO.	VERSION												
DATE		DD-652-008 FR	A												
APPROVED BY (PRINT)		NOTES													
SIGNED:		1.DIMENSIONS ARE SUBJECT TO DIMENSIONAL TOLERANCES AND RELATE TO THE COMPLEXITY AND FIT OF THE COMPONENTS TO BS EN ISO 5459:2011. 2.ALL DIMENSIONS IN MILLIMETERS. 3.DRAWING IN THIRD ANGLE PROJECTION.													
REFERENCES:															
COMPLIANCES:															
1.DIMENSIONS ARE SUBJECT TO DIMENSIONAL TOLERANCES AND RELATE TO THE COMPLEXITY AND FIT OF THE COMPONENTS TO BS EN ISO 5459:2011. 2.THIS DRAWING BOARDER IS COMPLIANT TO BS-8888:2011, SECTION 2.6.1															
LEGEND		THIRD ANGLE PROJECTION													
CURRENT VERSION INFORMATION															
A. FIRST ISSUE															
<table border="1"> <tr> <td>24/05/2017</td> <td>RT</td> <td>TC</td> <td></td> <td>A</td> <td>FIRST ISSUE</td> </tr> <tr> <th>DATE</th> <th>DRWN</th> <th>CHKD</th> <th>REVD</th> <th>VER</th> <th>REASON FOR ISSUE</th> </tr> </table>				24/05/2017	RT	TC		A	FIRST ISSUE	DATE	DRWN	CHKD	REVD	VER	REASON FOR ISSUE
24/05/2017	RT	TC		A	FIRST ISSUE										
DATE	DRWN	CHKD	REVD	VER	REASON FOR ISSUE										
<small>THIS DRAWING BOARDER IS COMPLIANT TO BS-8888:2011, SECTION 2.6.1 THIS DRAWING IS ISSUED BY WPL LTD SUBJECT TO THE CONDITIONS THAT IT IS NOT COPIED EITHER IN WHOLE OR IN PART OR DISCLOSED TO THIRD PARTIES UNLESS PRIOR WRITTEN AUTHORISATION IS GIVEN BY WPL LTD DO NOT SCALE THIS DRAWING - IF IN DOUBT ASK</small>															
WEIGHTS + DIMENSIONS:															
WEIGHTS 01:		WEIGHTS 02:													
EMPTY WEIGHT *****KG'S		EMPTY WEIGHT *****KG'S													
OPERATING WEIGHT *****KG'S		OPERATING WEIGHT *****KG'S													
SHIPPING DIMS 01		SHIPPING DIMS 02													
LENGTH *****M		LENGTH *****M													
WIDTH *****M		WIDTH *****M													
HEIGHT *****M		HEIGHT *****M													
LIFTING POINTS		CENTER OF GRAVITY													
MARKED AS AN ENCIRCLED (L)		MARKED AS AN ENCIRCLED (G)													
<small>ANY DESIGNS OR INNOVATIONS REPRESENTED IN THE DRAWING SPACE ARE THE SOLE OWNERSHIP OF WPL LTD AND AS SUCH COPYRIGHT AND DESIGN RIGHTS IMPLICITLY APPLY.</small>															
		WPL Ltd Units 1 & 2 Aston road Waterloooville Hampshire PO7 7UX													
ORIGINATORS DRAWING No.		VERSION													
DD-652-008 FR		A													
PROJECT TITLE															
ROTA DIAMOND KIOSK FRANCE															
DRAWING TITLE		SCALE													
		NTS													
SCALE		SITE No													
		0000													
DRAWING NO.		VERSION													
DD-652-008 FR		A													