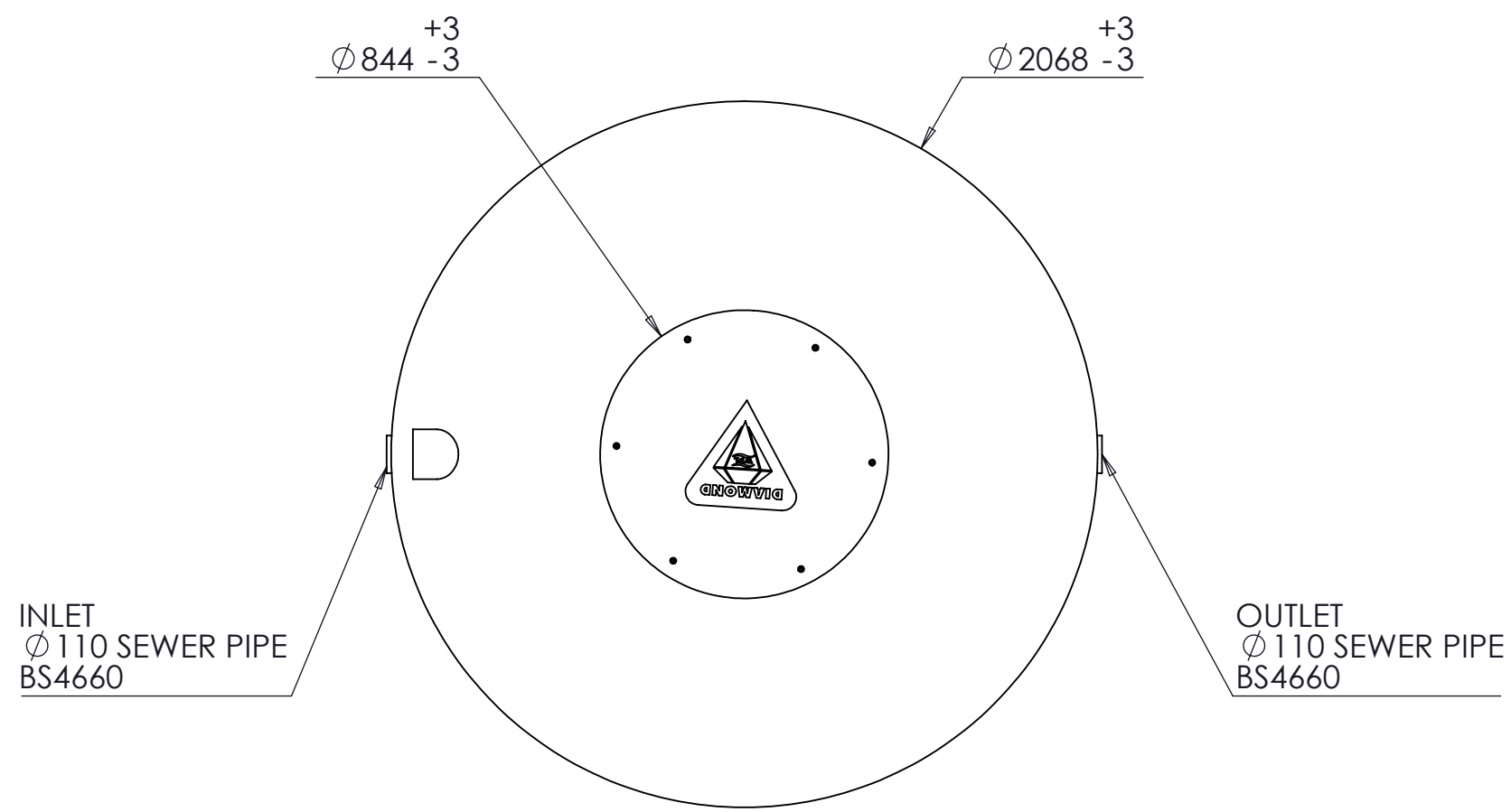




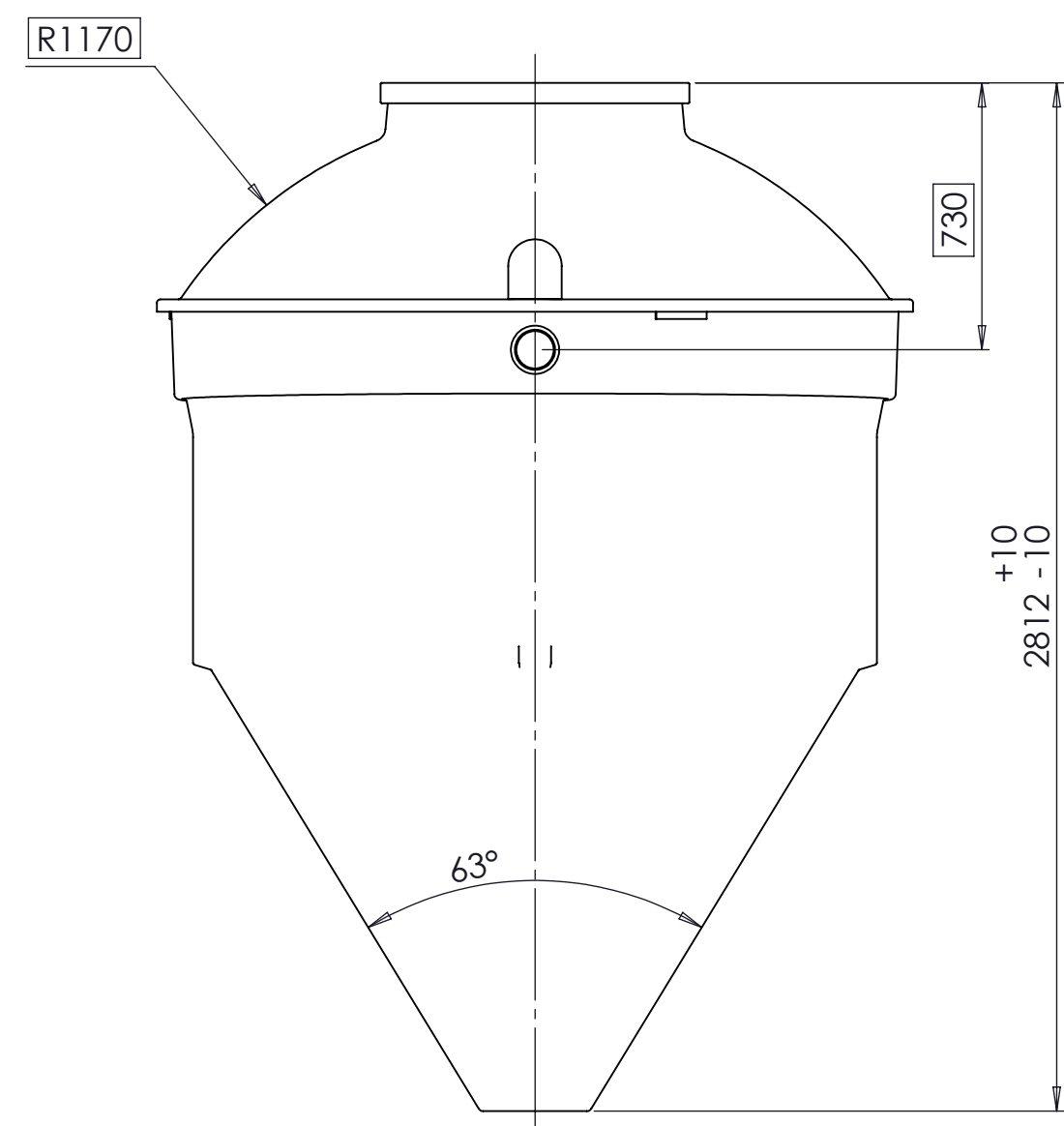
ISO VIEW LEFT



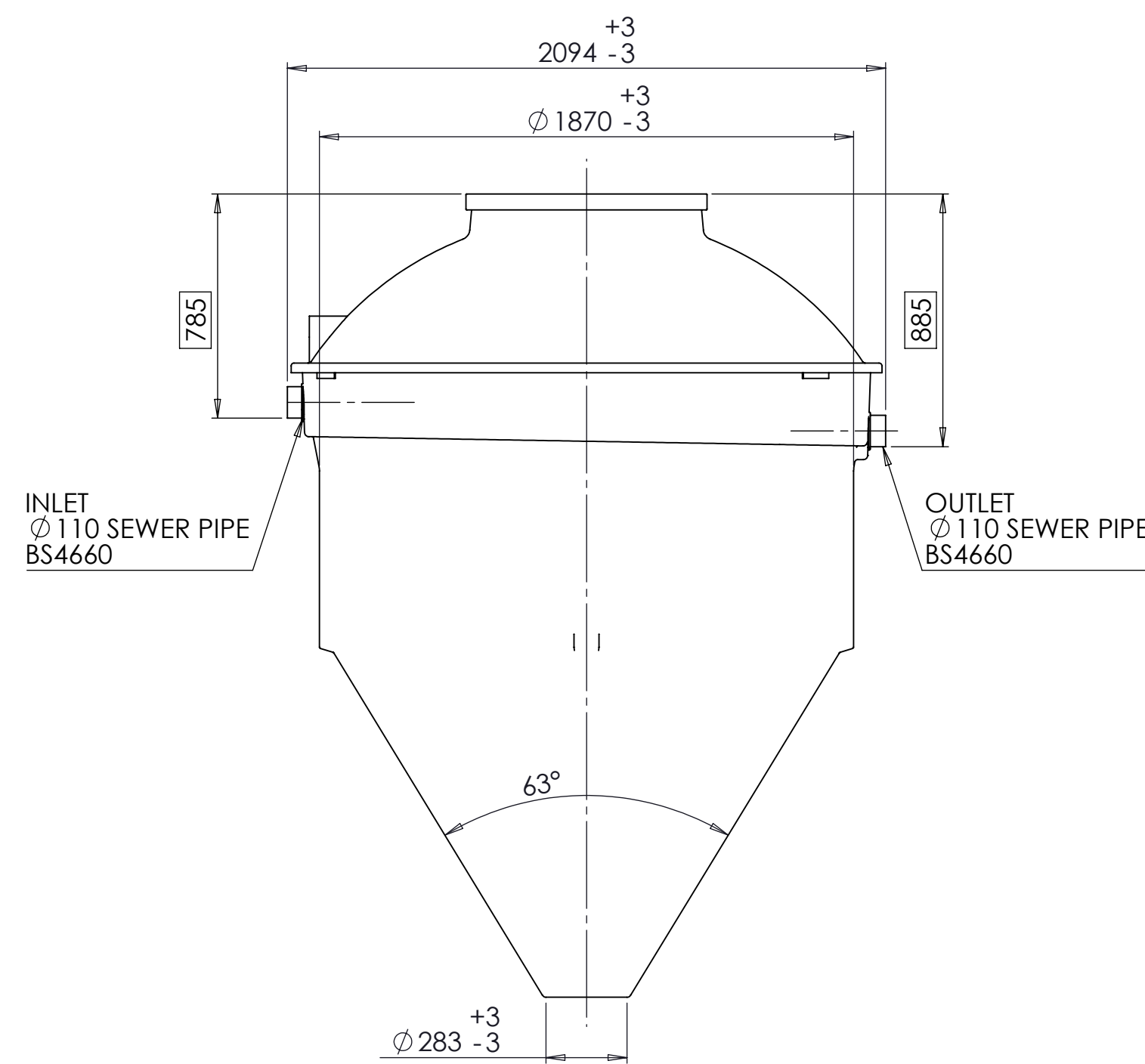
PLAN VIEW



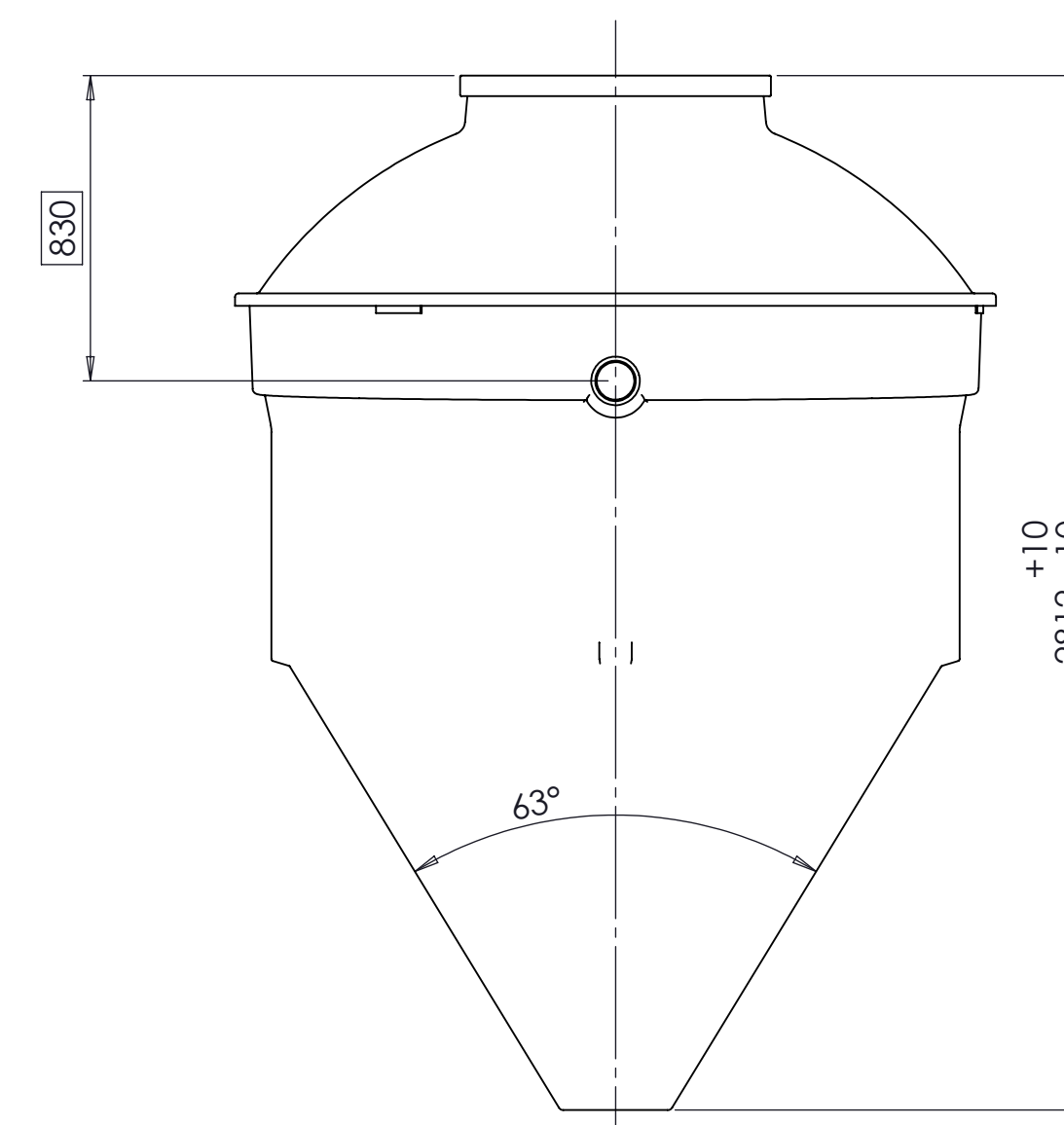
ISO VIEW RIGHT



FRONT VIEW



SIDE VIEW



REAR VIEW

DRAWING APPROVAL	
DATE	
APPROVED BY (PRINT)	
SIGNED:	

DRAWING NO.	DMS4/5-SHT01	VERSION	A
-------------	--------------	---------	---

NOTES

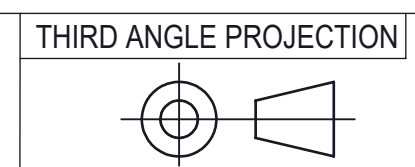
- 1.DIMENSIONS ARE SUBJECT TO DIMENSIONAL TOLERANCES AND RELATE TO THE COMPLEXITY AND FIT OF THE COMPONENTS TO BS EN ISO 5459:2011.
- 2.ALL DIMENSIONS IN MILLIMETERS.
- 3.COLOUR 14C39, RAL 6005.

REFERENCES:

- DMS4/5-SHT02
- DMS4/5-SHT03

COMPLIANCES:

- 1.COMPLY WITH BS EN ISO 5459:2011 GEOMETRICAL TOLERANCING.
- 2.THIS DRAWING BORDER IS COMPLIANT TO BS-8888:2011, SECTION 2.6.1
- 3.COMPLY WITH LOLER REGULATION



13/04/2016	RT	TH	TC	A	FIRST ISSUE
DATE	DRWN	CHKD	REVD	VER	REASON FOR ISSUE

THIS DRAWING BORDER IS COMPLIANT TO BS-8888:2011, SECTION 2.6.1
THIS DRAWING IS ISSUED BY WPL LTD SUBJECT TO THE CONDITIONS THAT IT IS NOT COPIED EITHER IN WHOLE OR IN PART OR DISCLOSED TO THIRD PARTIES UNLESS PRIOR WRITTEN AUTHORISATION IS GIVEN BY WPL LTD
DO NOT SCALE THIS DRAWING - IF IN DOUBT ASK

WEIGHTS + DIMENSIONS:	
WEIGHTS 01:	
EMPTY WEIGHT	210 KG'S
OPERATING WEIGHT	4,185 KG'S
SHIPPING DIMS 01	
LENGTH	2.1 M
WIDTH	2.1 M
HEIGHT	2.8 M

LIFTING POINTS MARKED AS AN ENCIRCLED (L)	CENTER OF GRAVITY MARKED AS AN ENCIRCLED (G)
---	--

ANY DESIGNS OR INNOVATIONS REPRESENTED IN THE DRAWING SPACE ARE THE SOLE OWNERSHIP OF WPL LTD AND AS SUCH COPYRIGHT AND DESIGN RIGHTS IMPLICITLY APPLY.



WPL Ltd
Units 1 & 2 Aston road
Waterlooville
Hampshire
PO7 7UX

ORIGINATORS DRAWING No.	DMS4/5-SHT01	VERSION	A
-------------------------	--------------	---------	---

PROJECT TITLE

DMS4/5 DIAMOND

DRAWING TITLE

GENERAL ARRANGEMENT

SCALE	1:20	SITE No	NA
-------	------	---------	----

DRAWING NO.	DMS4/5-SHT01	VERSION	A
-------------	--------------	---------	---

