

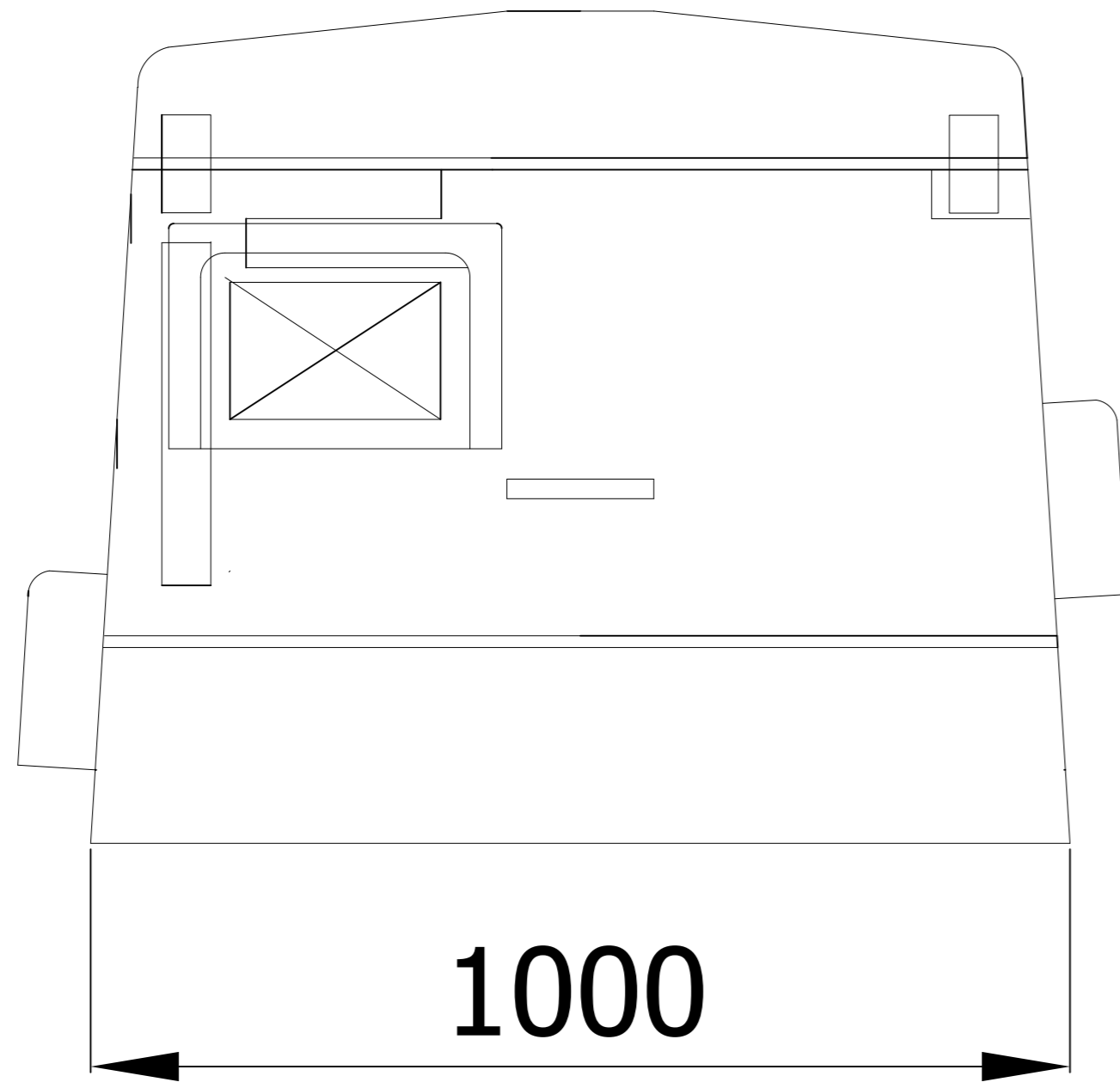
PLAN VIEW

- MANIFOLD
- x1, 1" MAIN AERATION
- x1, 1/2" SOLENOID VALVE - FORWARD FEED
- x1, 1/2" SLUDGE RETURN - SLUDGE RETURN

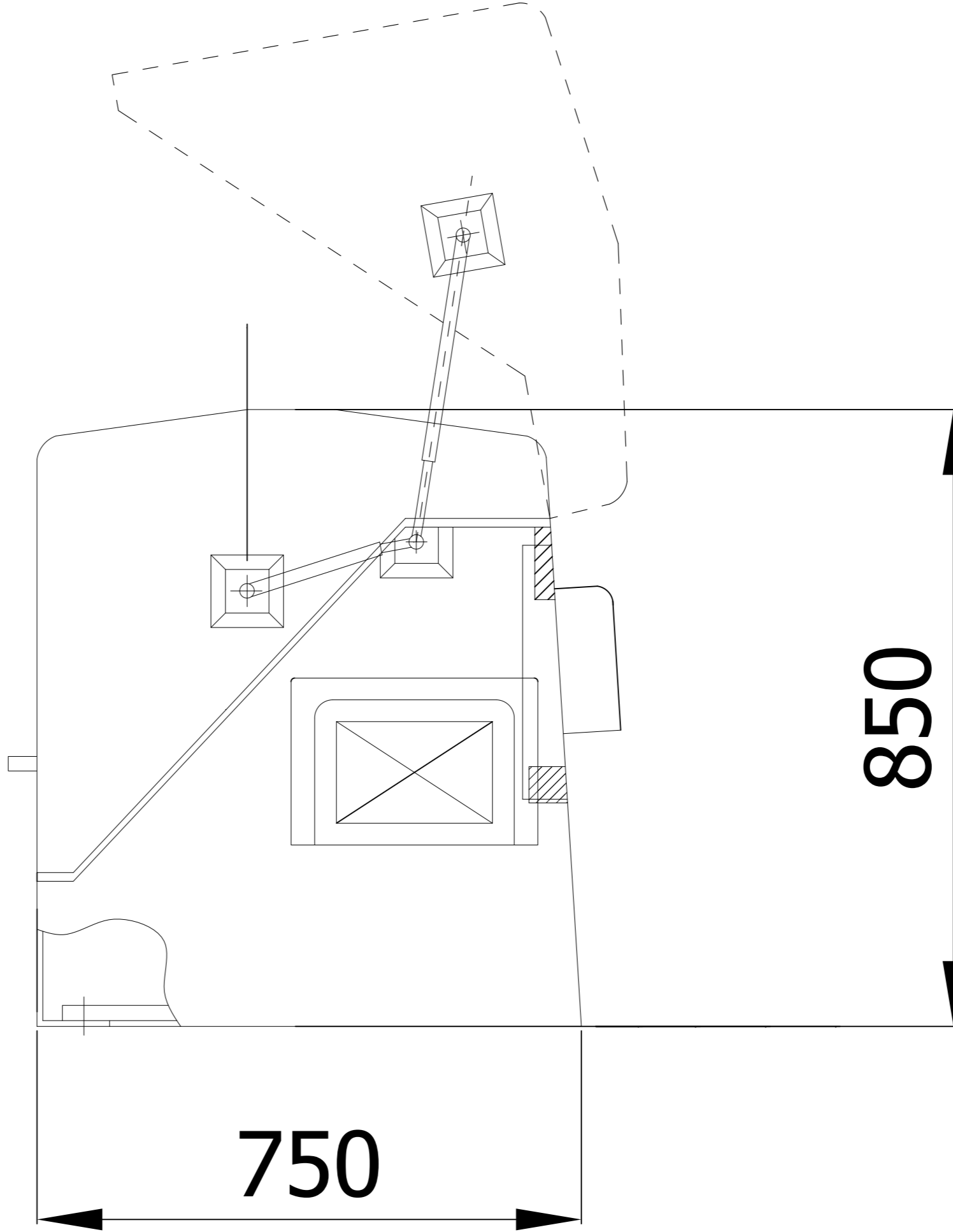
CONTROL PANEL

FAN & LOUVER
OPERATES 24/7

BLOWER



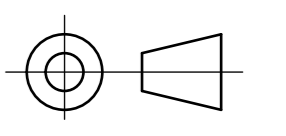
FRONT VIEW



SIDE VIEW

DRAWING APPROVAL		DRAWING NO.	VERSION
DATE		MEDIUM KIOSK GA	A
APPROVED BY (PRINT)		NOTES	
SIGNED:		1. DIMENSIONS ARE SUBJECT TO DIMENSIONAL TOLERANCES. 2. ALL DIMENSIONS IN MILLIMETERS AND ALL LEVELS IN METRES UNLESS SHOWN OTHERWISE. 3. DRAWING IN THIRD ANGLE PROJECTION.	

REFERENCES:



CURRENT VERSION INFORMATION

DATE	DRWN	CHKD	REVD	VER	REASON FOR ISSUE
16/05/2019	OH	TC		A	FIRST ISSUE

THIS DRAWING IS ISSUED BY WPL LTD SUBJECT TO THE CONDITIONS THAT IT IS NOT COPIED EITHER IN WHOLE OR IN PART OR DISCLOSED TO THIRD PARTIES UNLESS PRIOR WRITTEN AUTHORISATION IS GIVEN BY WPL LTD. IF PRINTED, THE DRAWING WILL BE UNCONTROLLED. PREVIOUS VERSIONS OF THIS DRAWING SHOULD BE STAMPED SUPERSEDED OR DESTROYED. DO NOT SCALE THIS DRAWING - IF IN DOUBT ASK.

WEIGHTS + DIMENSIONS:	
WEIGHTS 01:	
EMPTY WEIGHT	80 KG'S
OPERATING WEIGHT	80 KG'S
SHIPPING DIMS 01	
LENGTH	0.90M
WIDTH	1.00M
HEIGHT	0.85M

LIFTING POINTS
MARKED AS AN ENCIRCLED L

ANY DESIGNS OR INNOVATIONS REPRESENTED IN THE DRAWING SPACE ARE THE SOLE OWNERSHIP OF WPL LTD AND AS SUCH COPYRIGHT AND DESIGN RIGHTS IMPLICITLY APPLY.



ORIGINATORS DRAWING NO.	VERSION
MEDIUM KIOSK GA	A

PROJECT TITLE
GA

DRAWING TITLE
MEDIUM KIOSK

SITE	SITE No

SCALE	MASTER SIZE
N.T.S	A1

DRAWING NO.	VERSION
MEDIUM KIOSK GA	A