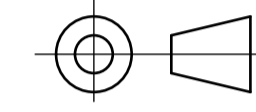

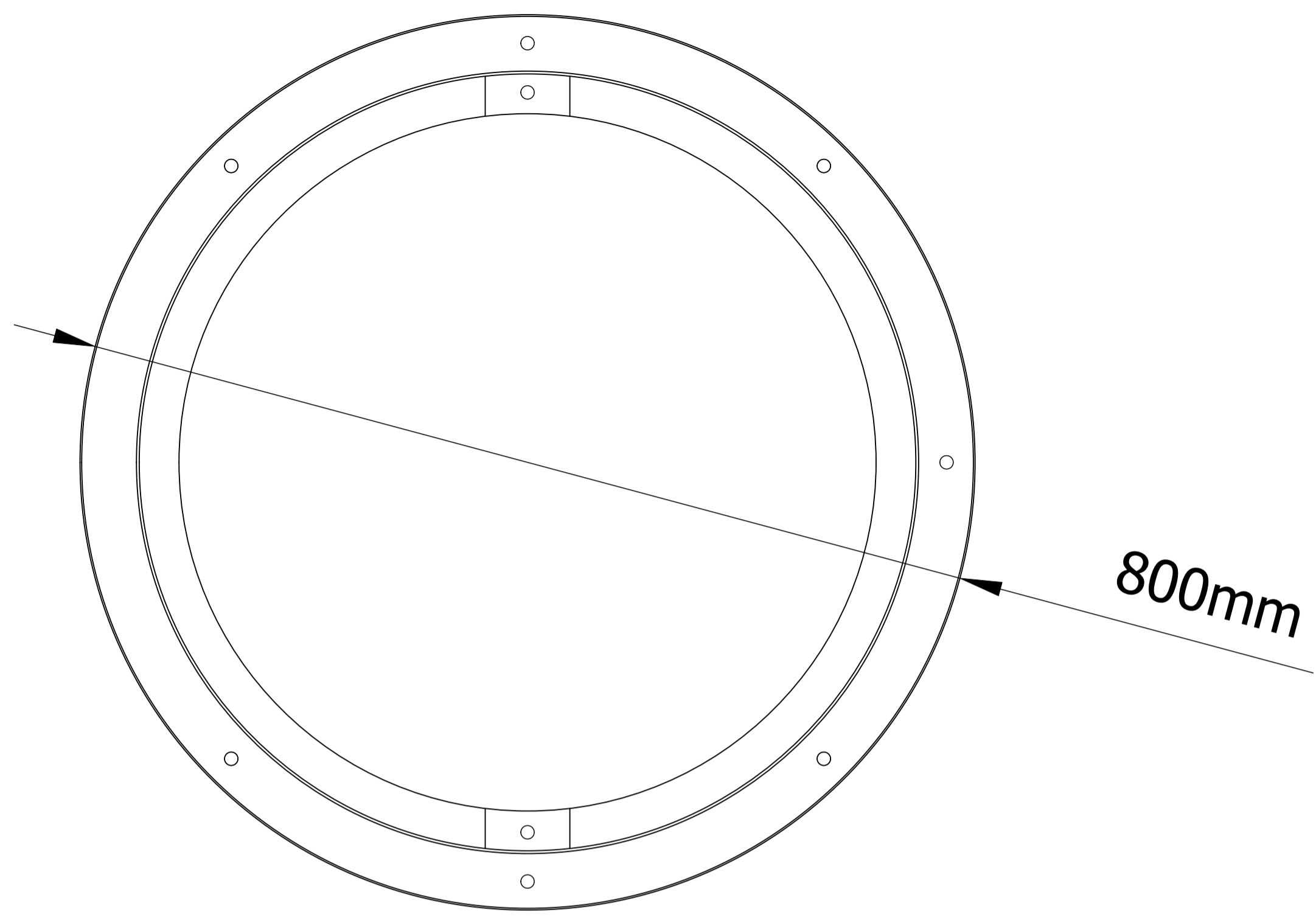
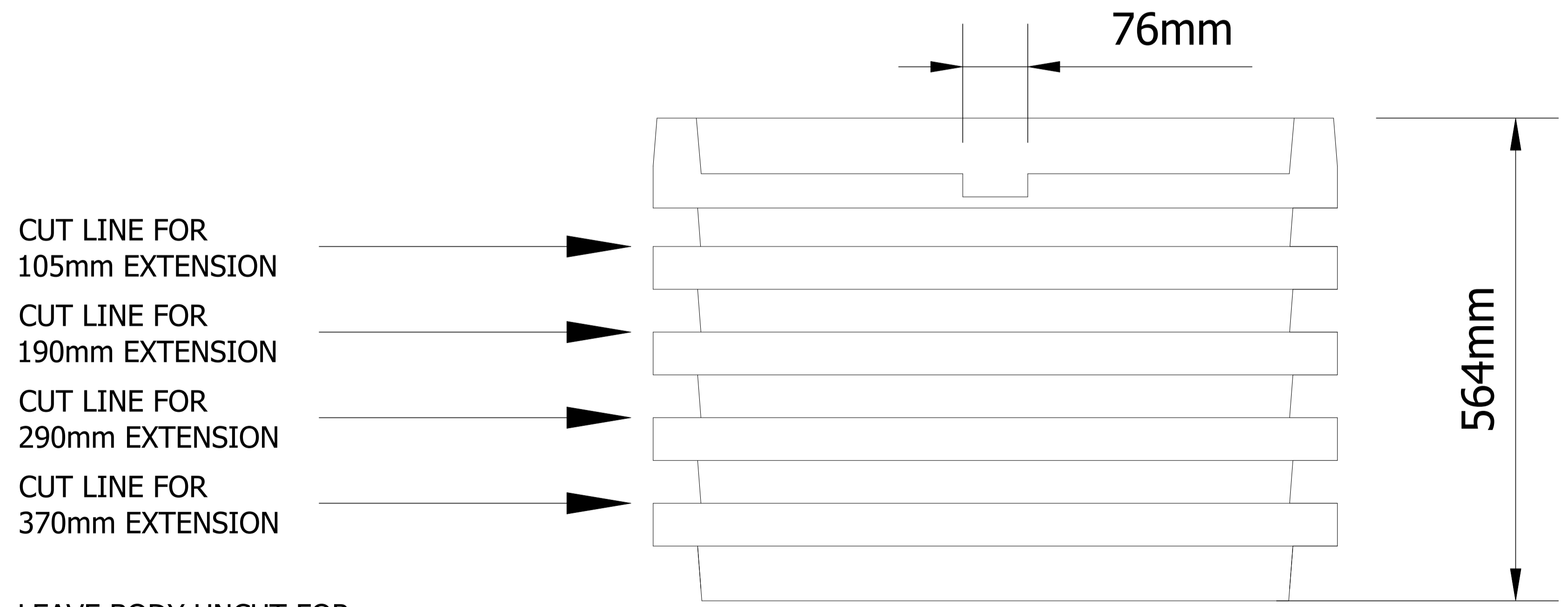


DRAWING APPROVAL		DRAWING NO.	VERSION												
DATE		DMS TURRET EXTENSION	A												
APPROVED BY (PRINT)		NOTES													
SIGNED:		1. DIMENSIONS ARE SUBJECT TO DIMENSIONAL TOLERANCES. 2. ALL DIMENSIONS IN MILLIMETERS AND ALL LEVELS IN METRES UNLESS SHOWN OTHERWISE. 3. DRAWING IN THIRD ANGLE PROJECTION.													
REFERENCES:															
LEGEND															
CURRENT VERSION INFORMATION															
<table border="1"> <thead> <tr> <th>DATE</th> <th>DRWN</th> <th>CHKD</th> <th>REVD</th> <th>VER</th> <th>REASON FOR ISSUE</th> </tr> </thead> <tbody> <tr> <td>28/10/2022</td> <td>TC</td> <td></td> <td></td> <td>A</td> <td>FIRST ISSUE</td> </tr> </tbody> </table>				DATE	DRWN	CHKD	REVD	VER	REASON FOR ISSUE	28/10/2022	TC			A	FIRST ISSUE
DATE	DRWN	CHKD	REVD	VER	REASON FOR ISSUE										
28/10/2022	TC			A	FIRST ISSUE										
THIS DRAWING IS ISSUED BY WCS ENVIRONMENTAL ENGINEERING SUBJECT TO THE CONDITIONS THAT IT IS NOT COPIED EITHER IN WHOLE OR IN PART OR DISCLOSED TO THIRD PARTIES UNLESS PRIOR WRITTEN AUTHORISATION IS GIVEN BY WPL (A WCS GROUP COMPANY). IF PRINTED THIS DRAWING WILL BE UNCONTROLLED. PREVIOUS VERSIONS OF THIS DRAWING SHOULD BE STAMPED SUPERSEDED OR DESTROYED. DO NOT SCALE THIS DRAWING - IF IN DOUBT ASK.															
WEIGHTS + DIMENSIONS:															
WEIGHTS 01:		EMPTY WEIGHT 5KG													
SHIPPING DIMS 01:		LENGTH 800mm													
		WIDTH 800mm													
		HEIGHT 564mm													
LIFTING POINTS															
MARKED AS AN ENCIRCLED (L)															
ANY DESIGNS OR INNOVATIONS REPRESENTED IN THE DRAWING SPACE ARE THE SOLE OWNERSHIP OF WCS ENVIRONMENTAL ENGINEERING AND AS SUCH COPYRIGHT AND DESIGN RIGHTS IMPLICITLY APPLY.															
		WCS Environmental Engineering Ltd Unit 7, Ashby Road Wigmore Herefordshire HR12 9JG United Kingdom A WCS Group Company													
ORIGINATORS DRAWING NO.		VERSION													
DMS TURRET EXTENSION		A													
PROJECT TITLE															
DMS TURRET EXTENSION															
DRAWING TITLE															
GENERAL ARRAGEMENT															
SITE		SITE No													
SCALE		MASTER SIZE													
N.T.S		A1													
DRAWING NO.		VERSION													
DMS TURRET EXTENSION		A													



PLAN VIEW



FRONT VIEW